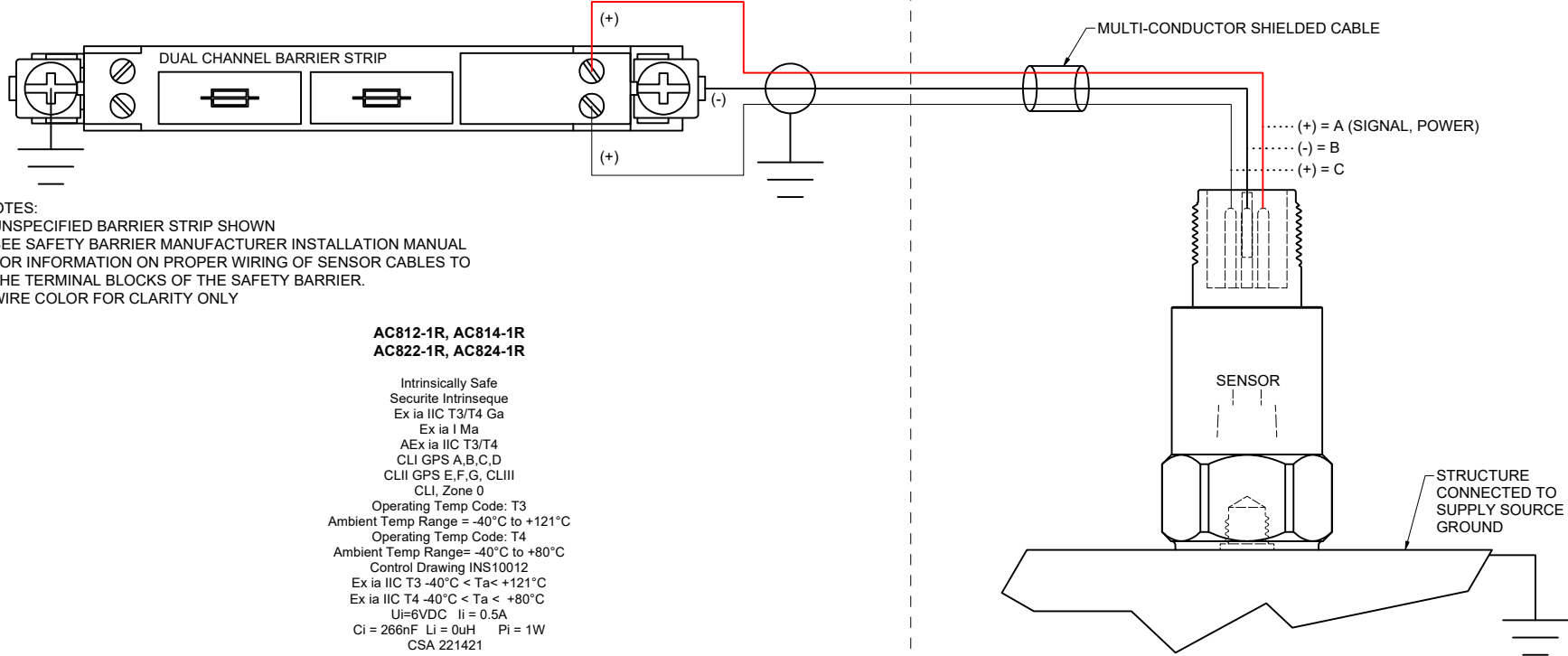


NON-HAZARDOUS AREA

HAZARDOUS AREA




NOTES:  
 - UNSPECIFIED BARRIER STRIP SHOWN  
 - SEE SAFETY BARRIER MANUFACTURER INSTALLATION MANUAL FOR INFORMATION ON PROPER WIRING OF SENSOR CABLES TO THE TERMINAL BLOCKS OF THE SAFETY BARRIER.  
 - WIRE COLOR FOR CLARITY ONLY

**AC812-1R, AC814-1R  
 AC822-1R, AC824-1R**

Intrinsically Safe  
 Securite Intrinseque  
 Ex ia IIC T3/T4 Ga  
 Ex ia I Ma  
 AEx ia IIC T3/T4  
 CLI GPS A,B,C,D  
 CLII GPS E,F,G, CLIII  
 CLI, Zone 0  
 Operating Temp Code: T3  
 Ambient Temp Range = -40°C to +121°C  
 Operating Temp Code: T4  
 Ambient Temp Range = -40°C to +80°C  
 Control Drawing INS10012  
 Ex ia IIC T3 -40°C < Ta < +121°C  
 Ex ia IIC T4 -40°C < Ta < +80°C  
 Ui=6VDC li = 0.5A  
 Ci = 266nF Li = 0uH Pi = 1W  
 CSA 221421  
 Sira 15ATEX2152X  
 Ex ia IIC T3-T4 Ga  
 Ex ia I Ma  
 IECEx SIR 15.0060X  
 Ex ia IIC T3-T4 Ga  
 Ex ia I Ma  
 CSA 22UKEX1408X  
 Ex ia IIC T3 or T4 Ga  
 Ex ia I Ma  
 (XXXX)

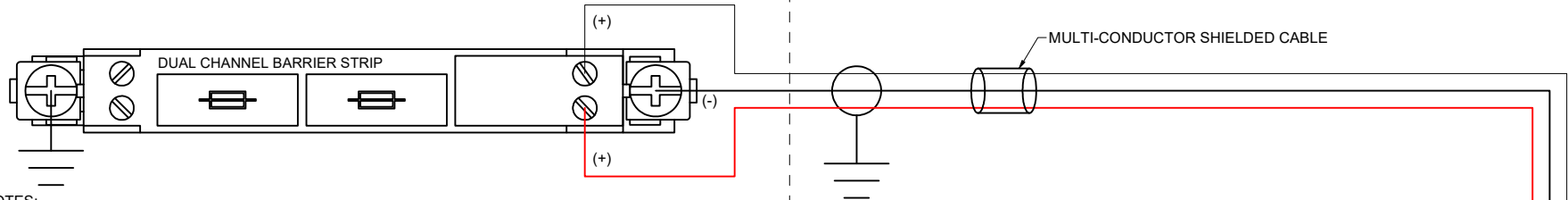
NOTES:  
 - DO NOT PARALLEL ASSOCIATE APPARATUS UNLESS PERMITTED BY ASSOCIATED APPARATUS APPROVAL  
 - CABLE CAPACITANCE & INDUCTANCE PLUS THE I.S. APPARATUS UNPROTECTED CAPACITANCE (Ci) AND INDUCTANCE (Li) MUST NOT EXCEED THE ALLOWED CAPACITANCE (Ca) AND INDUCTANCE (La) INDICATED ON THE ASSOCIATED APPARATUS  
 [(C<sub>cable</sub> + C<sub>i</sub> < C<sub>a</sub>) & (L<sub>cable</sub> + L<sub>i</sub> < L<sub>a</sub>)]

REV	DESCRIPTION	ECO#	DESIGNER	ENG APPROVED	DATE	MFG APPROVED	DATE
L	UPDATED TO INCLUDE Ex ia Ma	-	CRW	LC	02/22/2023	JN	02/22/2023
K	CHANGED FORMAT TO BE MORE SPECIFIC, ADDED UK CA	-	CRW	LC	02/07/2022	JN	02/07/2022
J	REMOVED WT83*, CHANGED TO 120mA	-	CRW	JBD	02/19/2019	AJN	02/19/2019
H	ADDED SINGLE CHANNEL BARRIER WIRING OPTIONS, UPDATE LAYOUT OF DRAWINGS AND ADD MODAL TRIAX VARIATION, MOVE ADDRESS TO TITLE BLOCK, SEPERATED TA & BIAIXIAL SENSORS	-	CRW / DMG	MGS	4/18/2017	JLS	4/18/2017
G	ADDING CTC ADDRESS	-	CRW	TJW	6/15/2015	-	-
F	ADDED "X" TO ATEX AND IECEx CERTIFICATE NUMBERS	-	CRW	TJW	6/11/2015	-	-

 <b>CONNECTION TECHNOLOGY CENTER, INC</b> 7939 RAE BLVD. VICTOR NY, 14564	<b>MATERIAL</b> -	ALL DIMENSIONS ARE IN INCHES UNLESS OTHERWISE SPECIFIED TOLERANCES (UNLESS SPECIFIED) XXX ± 0.005 XX ± 0.01 X ± 0.1 ANGLE ± 2° BREAK ALL SHARP EDGES .010 MAX
	<b>PART #:</b> INS10012	
<b>DESCRIPTION:</b> INTRINSIC SAFE SENSOR CONTROL DRAWING		SHEET 1 / 16 NOT DRAWN TO SCALE

NON-HAZARDOUS AREA

HAZARDOUS AREA

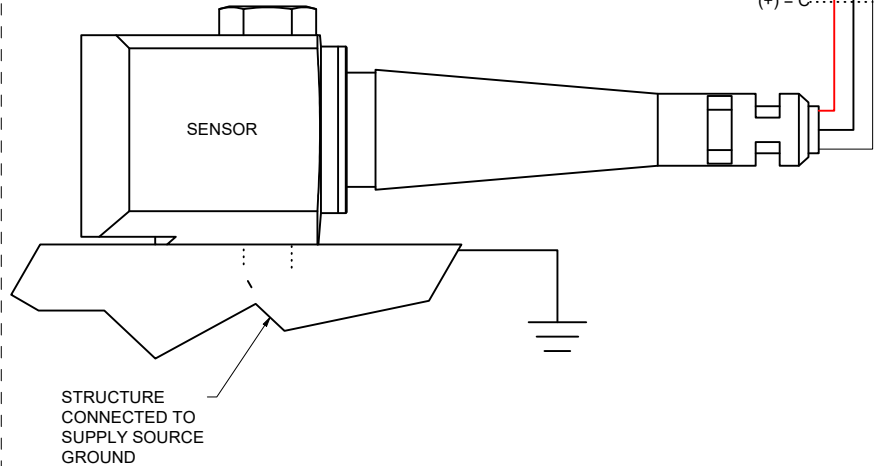


NOTES:

- UNSPECIFIED BARRIER STRIP SHOWN
- SEE SAFETY BARRIER MANUFACTURER INSTALLATION MANUAL FOR INFORMATION ON PROPER WIRING OF SENSOR CABLES TO THE TERMINAL BLOCKS OF THE SAFETY BARRIER.
- WIRE COLOR FOR CLARITY ONLY

AC812-XR, AC814-XR  
AC822-XR, AC824-XR


Intrinsically Safe  
 Securite Intrinsic  
 Ex ia IIC T3/T4 Ga  
 Ex ia I Ma  
 AEx ia IIC T3/T4  
 CLI GPS A,B,C,D  
 CLII GPS E,F,G, CLIII  
 CLI, Zone 0  
 Operating Temp Code: T3  
 Ambient Temp Range = -40°C to +121°C  
 Operating Temp Code: T4  
 Ambient Temp Range = -40°C to +80°C  
 Control Drawing INS10012  
 Ex ia IIC T3 -40°C < Ta < +121°C  
 Ex ia IIC T4 -40°C < Ta < +80°C  
 Uj=6VDC Ii = 0.5A  
 Ci = 278.2nF Li = 42uH Pi = 1W  
 CSA 221421  
 Sira 15ATEX2152X  
 Ex ia IIC T3-T4 Ga  
 Ex ia I Ma  
 IECEx SIR 15.0060X  
 Ex ia IIC T3-T4 Ga  
 Ex ia I Ma  
 CSA 22UKEX1408X  
 Ex ia IIC T3 or T4 Ga  
 Ex ia I Ma  
 (XXXX)



NOTES:

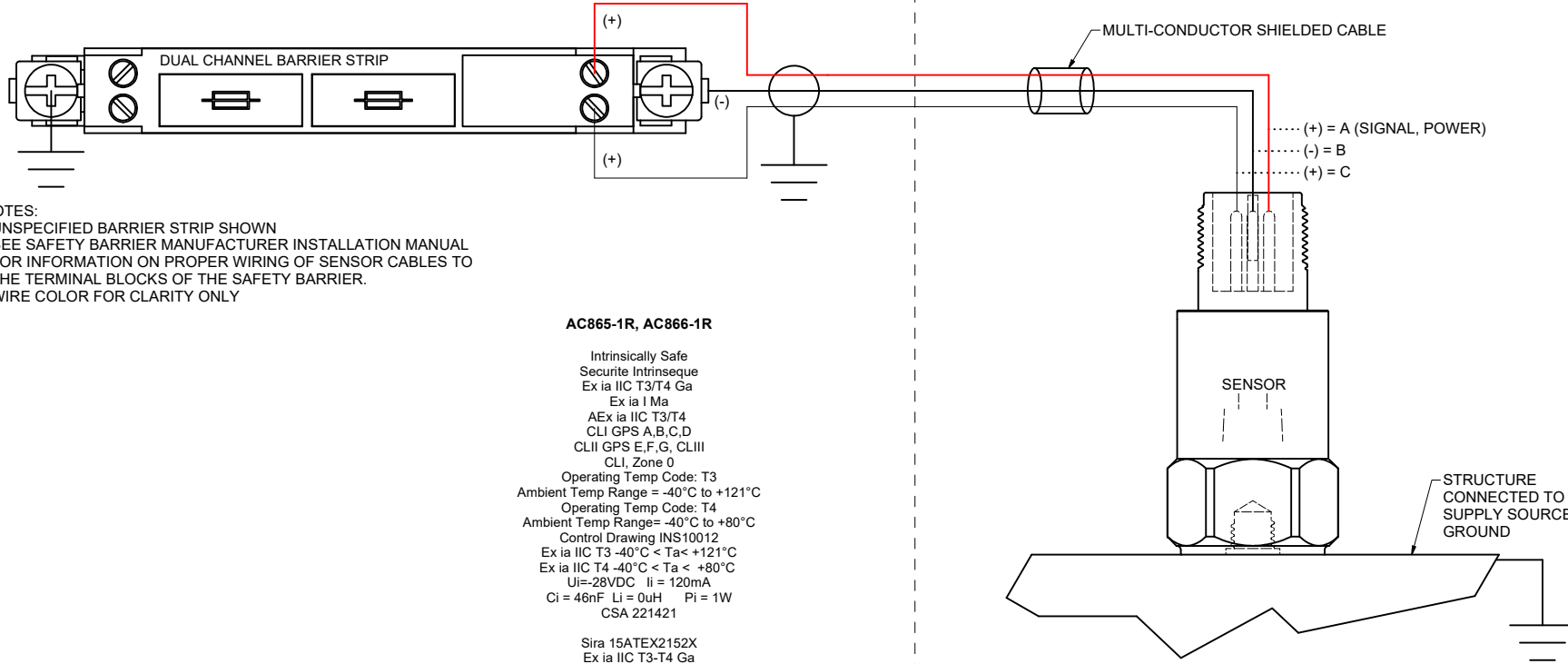
- DO NOT PARALLEL ASSOCIATE APPARATUS UNLESS PERMITTED BY ASSOCIATED APPARATUS APPROVAL
- CABLE CAPACITANCE & INDUCTANCE PLUS THE I.S. APPARATUS UNPROTECTED CAPACITANCE (Ci) AND INDUCTANCE (Li) MUST NOT EXCEED THE ALLOWED CAPACITANCE (Ca) AND INDUCTANCE (La) INDICATED ON THE ASSOCIATED APPARATUS [(Cable + Ci < Ca) & (Lcable + Li < La)]

REV	DESCRIPTION	ECO#	DESIGNER	ENG APPROVED	DATE	MFG APPROVED	DATE
L	UPDATED TO INCLUDE Ex ia Ma	-	CRW	LC	02/22/2023	JN	02/22/2023
K	CHANGED FORMAT TO BE MORE SPECIFIC, ADDED UK CA	-	CRW	LC	02/07/2022	JN	02/07/2022
J	REMOVED WT83", CHANGED TO 120mA	-	CRW	JBD	02/19/2019	AJN	02/19/2019
H	ADDED SINGLE CHANNEL BARRIER WIRING OPTIONS, UPDATE LAYOUT OF DRAWINGS AND ADD MODAL TRIAX VARIATION, MOVE ADDRESS TO TITLE BLOCK, SEPERATED TA & BIAIXIAL SENSORS	-	CRW / DMG	MGS	4/18/2017	JLS	4/18/2017
G	ADDING CTC ADDRESS	-	CRW	TJW	6/15/2015	-	-
F	ADDED "X" TO ATEX AND IECEx CERTIFICATE NUMBERS	-	CRW	TJW	6/11/2015	-	-

 <b>CONNECTION TECHNOLOGY CENTER, INC</b> 7939 RAE BLVD. VICTOR NY, 14564	<b>MATERIAL</b> -	ALL DIMENSIONS ARE IN INCHES UNLESS OTHERWISE SPECIFIED TOLERANCES (UNLESS SPECIFIED) XXX ± 0.005 XX ± 0.01 X ± 0.1 ANGLE ± 2° BREAK ALL SHARP EDGES .010 MAX
	<b>PART #:</b> INS10012	
<b>DESCRIPTION:</b> INTRINSIC SAFE SENSOR CONTROL DRAWING		<b>SHEET</b> 2 / 16 NOT DRAWN TO SCALE

NON-HAZARDOUS AREA

HAZARDOUS AREA



NOTES:  
 - UNSPECIFIED BARRIER STRIP SHOWN  
 - SEE SAFETY BARRIER MANUFACTURER INSTALLATION MANUAL FOR INFORMATION ON PROPER WIRING OF SENSOR CABLES TO THE TERMINAL BLOCKS OF THE SAFETY BARRIER.  
 - WIRE COLOR FOR CLARITY ONLY

AC865-1R, AC866-1R

Intrinsically Safe  
 Securite Inrinseque  
 Ex ia IIC T3/T4 Ga  
 Ex ia I Ma  
 AEx ia IIC T3/T4  
 CLI GPS A,B,C,D  
 CLII GPS E,F,G, CLIII  
 CLI, Zone 0  
 Operating Temp Code: T3  
 Ambient Temp Range = -40°C to +121°C  
 Operating Temp Code: T4  
 Ambient Temp Range= -40°C to +80°C  
 Control Drawing INS10012  
 Ex ia IIC T3 -40°C < Ta < +121°C  
 Ex ia IIC T4 -40°C < Ta < +80°C  
 Ui=-28VDC li = 120mA  
 Ci = 46nF Li = 0uH Pi = 1W  
 CSA 221421

Sira 15ATEX2152X  
 Ex ia IIC T3-T4 Ga  
 Ex ia I Ma


IECEx SIR 15.0060X  
 Ex ia IIC T3-T4 Ga  
 Ex ia I Ma

CSA 22UKEX1408X  
 Ex ia IIC T3 or T4 Ga  
 Ex ia I Ma

(XXXX)

NOTES:  
 - DO NOT PARALLEL ASSOCIATE APPARATUS UNLESS PERMITTED BY ASSOCIATED APPARATUS APPROVAL  
 - CABLE CAPACITANCE & INDUCTANCE PLUS THE I.S. APPARATUS UNPROTECTED CAPACITANCE (Ci) AND INDUCTANCE (Li) MUST NOT EXCEED THE ALLOWED CAPACITANCE (Ca) AND INDUCTANCE (La) INDICATED ON THE ASSOCIATED APPARATUS  
 [(Cable + Ci < Ca) & (Lcable + Li < La)]

REV	DESCRIPTION	ECO#	DESIGNER	ENG APPROVED	DATE	MFG APPROVED	DATE
L	UPDATED TO INCLUDE Ex ia Ma	-	CRW	LC	02/22/2023	JN	02/22/2023
K	CHANGED FORMAT TO BE MORE SPECIFIC, ADDED UK CA	-	CRW	LC	02/07/2022	JN	02/07/2022
J	REMOVED WT83*, CHANGED TO 120mA	-	CRW	JBD	02/19/2019	AJN	02/19/2019
H	ADDED SINGLE CHANNEL BARRIER WIRING OPTIONS, UPDATE LAYOUT OF DRAWINGS AND ADD MODAL TRIAX VARIATION, MOVE ADDRESS TO TITLE BLOCK, SEPERATED TA & BIAIXIAL SENSORS	-	CRW / DMG	MGS	4/18/2017	JLS	4/18/2017
G	ADDING CTC ADDRESS	-	CRW	TJW	6/15/2015	-	-
F	ADDED "X" TO ATEX AND IECEx CERTIFICATE NUMBERS	-	CRW	TJW	6/11/2015	-	-

 <b>CONNECTION TECHNOLOGY CENTER, INC</b> 7939 RAE BLVD. VICTOR NY, 14564	<b>MATERIAL</b> -	ALL DIMENSIONS ARE IN INCHES UNLESS OTHERWISE SPECIFIED TOLERANCES (UNLESS SPECIFIED) XXX ± 0.005 XX ± 0.01 X ± 0.1 ANGLE ± 2° BREAK ALL SHARP EDGES .010 MAX
	<b>PART #:</b> INS10012	
	<b>DESCRIPTION:</b> INTRINSIC SAFE SENSOR CONTROL DRAWING	
		SHEET 3 / 16 NOT DRAWN TO SCALE

4

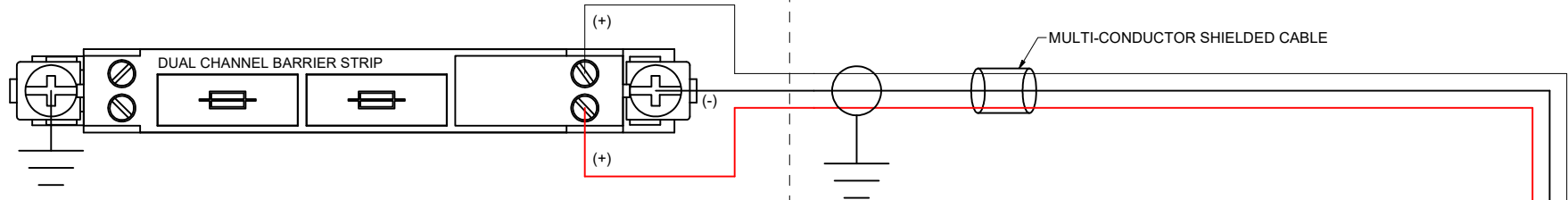
3

2

1

NON-HAZARDOUS AREA

HAZARDOUS AREA



NOTES:

- UNSPECIFIED BARRIER STRIP SHOWN
- SEE SAFETY BARRIER MANUFACTURER INSTALLATION MANUAL FOR INFORMATION ON PROPER WIRING OF SENSOR CABLES TO THE TERMINAL BLOCKS OF THE SAFETY BARRIER.
- WIRE COLOR FOR CLARITY ONLY

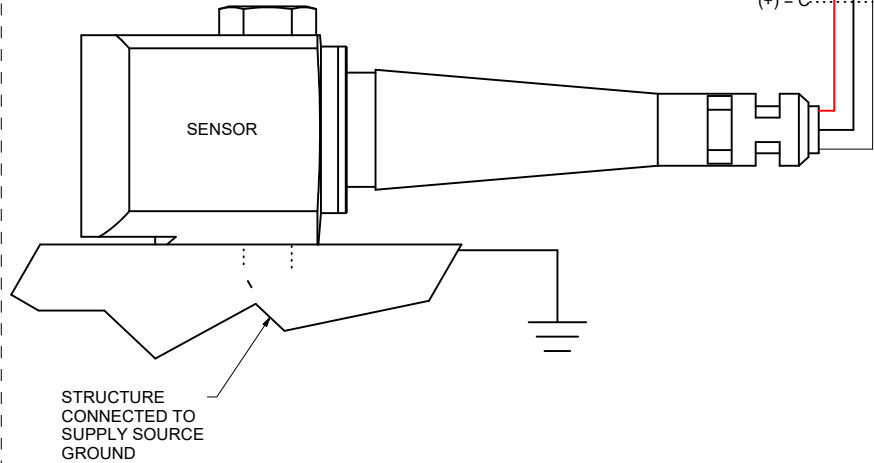
AC865-XR, AC866-XR

Intrinsically Safe  
 Securite Intrinseque  
 Ex ia IIC T3/T4 Ga  
 Ex ia I Ma  
 AEx ia IIC T3/T4  
 CLI GPS A,B,C,D  
 CLII GPS E,F,G, CLIII  
 CLI, Zone 0  
 Operating Temp Code: T3  
 Ambient Temp Range = -40°C to +121°C  
 Operating Temp Code: T4  
 Ambient Temp Range = -40°C to +80°C  
 Control Drawing INS10012  
 Ex ia IIC T3 -40°C < Ta < +121°C  
 Ex ia IIC T4 -40°C < Ta < +80°C  
 Ui = -28VDC Ii = 120mA  
 Ci = 58.2nF Li = 42uH Pi = 1W  
 CSA 221421

Sira 15ATEX2152X  
 Ex ia IIC T3-T4 Ga  
 Ex ia I Ma

IECEX SIR 15.0060X  
 Ex ia IIC T3-T4 Ga  
 Ex ia I Ma


CSA 22UKEX1408X  
 Ex ia IIC T3 or T4 Ga  
 Ex ia I Ma  
 (XXXX)



NOTES:

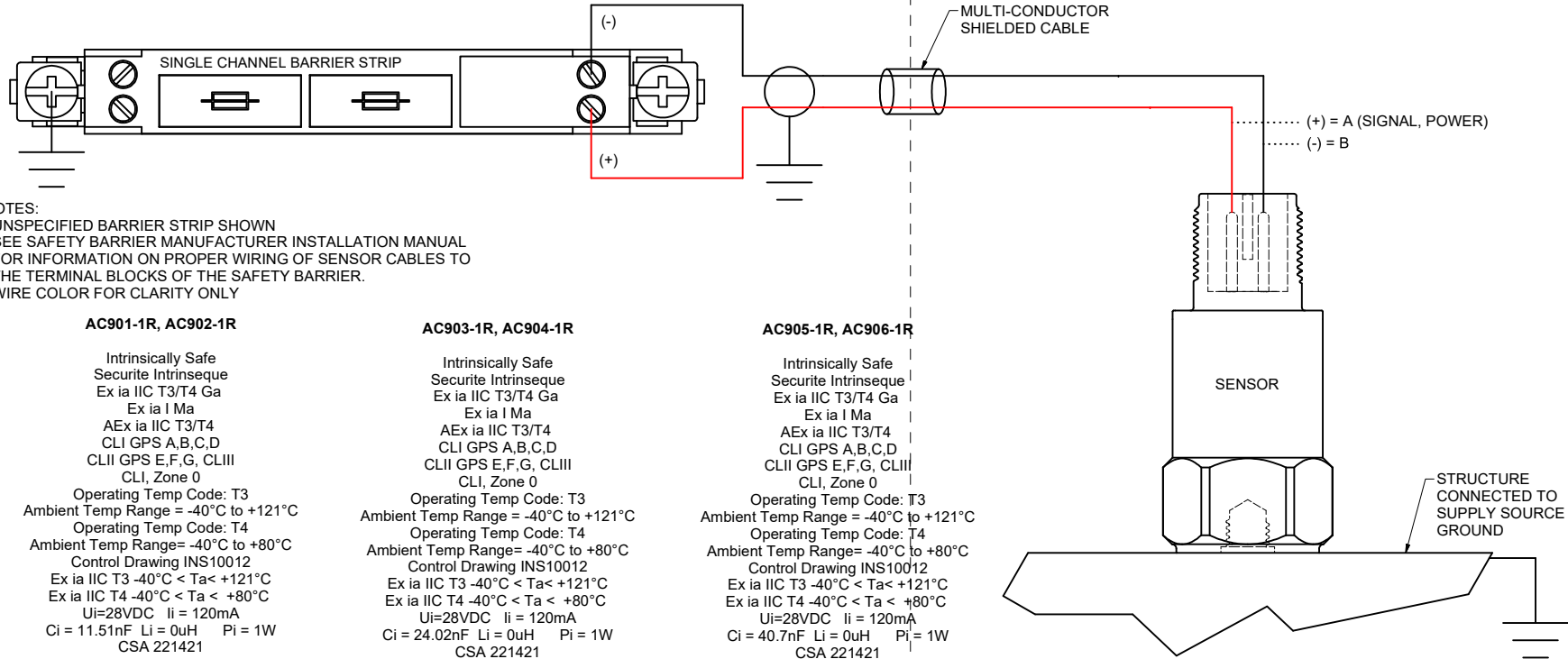
- DO NOT PARALLEL ASSOCIATE APPARATUS UNLESS PERMITTED BY ASSOCIATED APPARATUS APPROVAL
- CABLE CAPACITANCE & INDUCTANCE PLUS THE I.S. APPARATUS UNPROTECTED CAPACITANCE (Ci) AND INDUCTANCE (Li) MUST NOT EXCEED THE ALLOWED CAPACITANCE (Ca) AND INDUCTANCE (La) INDICATED ON THE ASSOCIATED APPARATUS [(Cable + Ci < Ca) & (Lcable + Li < La)]

REV	DESCRIPTION	ECO#	DESIGNER	ENG APPROVED	DATE	MFG APPROVED	DATE
L	UPDATED TO INCLUDE Ex ia Ma	-	CRW	LC	02/22/2023	JN	02/22/2023
K	CHANGED FORMAT TO BE MORE SPECIFIC, ADDED UK CA	-	CRW	LC	02/07/2022	JN	02/07/2022
J	REMOVED WT83", CHANGED TO 120mA	-	CRW	JBD	02/19/2019	AJN	02/19/2019
H	ADDED SINGLE CHANNEL BARRIER WIRING OPTIONS, UPDATE LAYOUT OF DRAWINGS AND ADD MODAL TRIAX VARIATION, MOVE ADDRESS TO TITLE BLOCK, SEPERATED TA & BIAIXIAL SENSORS	-	CRW / DMG	MGS	4/18/2017	JLS	4/18/2017
G	ADDING CTC ADDRESS	-	CRW	TJW	6/15/2015	-	-
F	ADDED "X" TO ATEX AND IECEX CERTIFICATE NUMBERS	-	CRW	TJW	6/11/2015	-	-

 <b>CONNECTION TECHNOLOGY CENTER, INC</b> 7939 RAE BLVD. VICTOR NY, 14564	<b>MATERIAL</b> -	ALL DIMENSIONS ARE IN INCHES UNLESS OTHERWISE SPECIFIED TOLERANCES (UNLESS SPECIFIED) XXX ± 0.005 XX ± 0.01 X ± 0.1 ANGLE ± 2° BREAK ALL SHARP EDGES .010 MAX
	<b>PART #:</b> INS10012	
<b>DESCRIPTION:</b> INTRINSIC SAFE SENSOR CONTROL DRAWING		SHEET 4 / 16 NOT DRAWN TO SCALE

NON-HAZARDOUS AREA

HAZARDOUS AREA



NOTES:

- UNSPECIFIED BARRIER STRIP SHOWN
- SEE SAFETY BARRIER MANUFACTURER INSTALLATION MANUAL FOR INFORMATION ON PROPER WIRING OF SENSOR CABLES TO THE TERMINAL BLOCKS OF THE SAFETY BARRIER.
- WIRE COLOR FOR CLARITY ONLY

AC901-1R, AC902-1R

Intrinsically Safe  
 Securite Intrinseque  
 Ex ia IIC T3/T4 Ga  
 Ex ia I Ma  
 AEx ia IIC T3/T4  
 CLI GPS A,B,C,D  
 CLII GPS E,F,G, CLIII  
 CLI, Zone 0

Operating Temp Code: T3  
 Ambient Temp Range = -40°C to +121°C  
 Operating Temp Code: T4  
 Ambient Temp Range = -40°C to +80°C  
 Control Drawing INS10012  
 Ex ia IIC T3 -40°C < Ta < +121°C  
 Ex ia IIC T4 -40°C < Ta < +80°C  
 Ui=28VDC li = 120mA  
 Ci = 11.51nF Li = 0uH Pi = 1W  
 CSA 221421

Sira 15ATEX2152X  
 Ex ia IIC T3-T4 Ga  
 Ex ia I Ma

IECEX SIR 15.0060X  
 Ex ia IIC T3-T4 Ga  
 Ex ia I Ma

CSA 22UKEX1408X  
 Ex ia IIC T3 or T4 Ga  
 Ex ia I Ma  
 (XXXX)

AC903-1R, AC904-1R

Intrinsically Safe  
 Securite Intrinseque  
 Ex ia IIC T3/T4 Ga  
 Ex ia I Ma  
 AEx ia IIC T3/T4  
 CLI GPS A,B,C,D  
 CLII GPS E,F,G, CLIII  
 CLI, Zone 0

Operating Temp Code: T3  
 Ambient Temp Range = -40°C to +121°C  
 Operating Temp Code: T4  
 Ambient Temp Range = -40°C to +80°C  
 Control Drawing INS10012  
 Ex ia IIC T3 -40°C < Ta < +121°C  
 Ex ia IIC T4 -40°C < Ta < +80°C  
 Ui=28VDC li = 120mA  
 Ci = 24.02nF Li = 0uH Pi = 1W  
 CSA 221421

Sira 15ATEX2152X  
 Ex ia IIC T3-T4 Ga  
 Ex ia I Ma

IECEX SIR 15.0060X  
 Ex ia IIC T3-T4 Ga  
 Ex ia I Ma

CSA 22UKEX1408X  
 Ex ia IIC T3 or T4 Ga  
 Ex ia I Ma  
 (XXXX)

AC905-1R, AC906-1R

Intrinsically Safe  
 Securite Intrinseque  
 Ex ia IIC T3/T4 Ga  
 Ex ia I Ma  
 AEx ia IIC T3/T4  
 CLI GPS A,B,C,D  
 CLII GPS E,F,G, CLIII  
 CLI, Zone 0

Operating Temp Code: T3  
 Ambient Temp Range = -40°C to +121°C  
 Operating Temp Code: T4  
 Ambient Temp Range = -40°C to +80°C  
 Control Drawing INS10012  
 Ex ia IIC T3 -40°C < Ta < +121°C  
 Ex ia IIC T4 -40°C < Ta < +80°C  
 Ui=28VDC li = 120mA  
 Ci = 40.7nF Li = 0uH Pi = 1W  
 CSA 221421

Sira 15ATEX2152X  
 Ex ia IIC T3-T4 Ga  
 Ex ia I Ma


IECEX SIR 15.0060X  
 Ex ia IIC T3-T4 Ga  
 Ex ia I Ma

CSA 22UKEX1408X  
 Ex ia IIC T3 or T4 Ga  
 Ex ia I Ma  
 (XXXX)

NOTES:

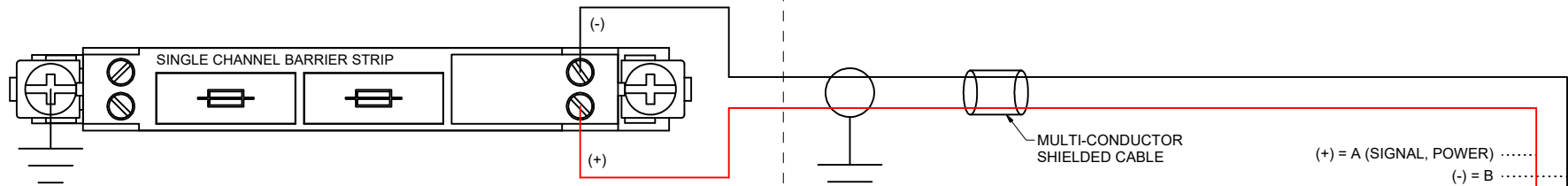
- DO NOT PARALLEL ASSOCIATE APPARATUS UNLESS PERMITTED BY ASSOCIATED APPARATUS APPROVAL
- CABLE CAPACITANCE & INDUCTANCE PLUS THE I.S. APPARATUS UNPROTECTED CAPACITANCE (Ci) AND INDUCTANCE (Li) MUST NOT EXCEED THE ALLOWED CAPACITANCE (Ca) AND INDUCTANCE (La) INDICATED ON THE ASSOCIATED APPARATUS
- [(Cable + Ci < Ca) & (Lcable + Li < La)]

REV	DESCRIPTION	ECO#	DESIGNER	ENG APPROVED	DATE	MFG APPROVED	DATE
L	UPDATED TO INCLUDE Ex ia Ma	-	CRW	LC	02/22/2023	JN	02/22/2023
K	CHANGED FORMAT TO BE MORE SPECIFIC, ADDED UK CA	-	CRW	LC	02/07/2022	JN	02/07/2022
J	REMOVED WT83*, CHANGED TO 120mA	-	CRW	JBD	02/19/2019	AJN	02/19/2019
H	ADDED SINGLE CHANNEL BARRIER WIRING OPTIONS, UPDATE LAYOUT OF DRAWINGS AND ADD MODAL TRIAX VARIATION, MOVE ADDRESS TO TITLE BLOCK, SEPERATED TA & BIAIXIAL SENSORS	-	CRW / DMG	MGS	4/18/2017	JLS	4/18/2017
G	ADDING CTC ADDRESS	-	CRW	TJW	6/15/2015	-	-
F	ADDED "X" TO ATEX AND IECEX CERTIFICATE NUMBERS	-	CRW	TJW	6/11/2015	-	-

 <b>CONNECTION TECHNOLOGY CENTER, INC</b> 7939 RAE BLVD. VICTOR NY, 14564	<b>MATERIAL</b> -	ALL DIMENSIONS ARE IN INCHES UNLESS OTHERWISE SPECIFIED TOLERANCES (UNLESS SPECIFIED) XXX ± 0.005 XX ± 0.01 X ± 0.1 ANGLE ± 2° BREAK ALL SHARP EDGES .010 MAX
	<b>PART #:</b> INS10012	
<b>DESCRIPTION:</b> INTRINSIC SAFE SENSOR CONTROL DRAWING		SHEET 5 / 16 NOT DRAWN TO SCALE

NON-HAZARDOUS AREA

HAZARDOUS AREA



NOTES:  
 - UNSPECIFIED BARRIER STRIP SHOWN  
 - SEE SAFETY BARRIER MANUFACTURER INSTALLATION MANUAL FOR INFORMATION ON PROPER WIRING OF SENSOR CABLES TO THE TERMINAL BLOCKS OF THE SAFETY BARRIER.  
 - WIRE COLOR FOR CLARITY ONLY

AC901-XR, AC902-XR

Intrinsically Safe  
 Securite Intrinsicque  
 Ex ia IIC T3/T4 Ga  
 Ex ia I Ma  
 AEx ia IIC T3/T4  
 CLI GPS A,B,C,D  
 CLII GPS E,F,G, CLIII  
 CLI, Zone 0  
 Operating Temp Code: T3  
 Ambient Temp Range = -40°C to +121°C  
 Operating Temp Code: T4  
 Ambient Temp Range = -40°C to +80°C  
 Control Drawing INS10012  
 Ex ia IIC T3 -40°C < Ta < +121°C  
 Ex ia IIC T4 -40°C < Ta < +80°C  
 Ui=28VDC Ii = 120mA  
 Ci = 51.71nF Li = 336uH Pi = 1W  
 CSA 221421

Sira 15ATEX2152X  
 Ex ia IIC T3-T4 Ga  
 Ex ia I Ma

IECEx SIR 15.0060X  
 Ex ia IIC T3-T4 Ga  
 Ex ia I Ma

CSA 22UKEX1408X  
 Ex ia IIC T3 or T4 Ga  
 Ex ia I Ma  
 (XXXX)

AC903-XR, AC904-XR

Intrinsically Safe  
 Securite Intrinsicque  
 Ex ia IIC T3/T4 Ga  
 Ex ia I Ma  
 AEx ia IIC T3/T4  
 CLI GPS A,B,C,D  
 CLII GPS E,F,G, CLIII  
 CLI, Zone 0  
 Operating Temp Code: T3  
 Ambient Temp Range = -40°C to +121°C  
 Operating Temp Code: T4  
 Ambient Temp Range = -40°C to +80°C  
 Control Drawing INS10012  
 Ex ia IIC T3 -40°C < Ta < +121°C  
 Ex ia IIC T4 -40°C < Ta < +80°C  
 Ui=28VDC Ii = 120mA  
 Ci = 64.02nF Li = 336uH Pi = 1W  
 CSA 221421

Sira 15ATEX2152X  
 Ex ia IIC T3-T4 Ga  
 Ex ia I Ma

IECEx SIR 15.0060X  
 Ex ia IIC T3-T4 Ga  
 Ex ia I Ma

CSA 22UKEX1408X  
 Ex ia IIC T3 or T4 Ga  
 Ex ia I Ma  
 (XXXX)

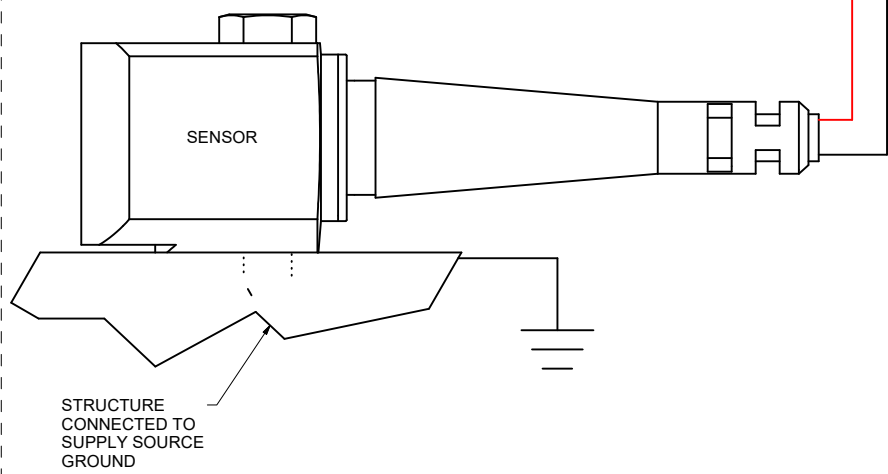
AC905-XR, AC906-XR

Intrinsically Safe  
 Securite Intrinsicque  
 Ex ia IIC T3/T4 Ga  
 Ex ia I Ma  
 AEx ia IIC T3/T4  
 CLI GPS A,B,C,D  
 CLII GPS E,F,G, CLIII  
 CLI, Zone 0  
 Operating Temp Code: T3  
 Ambient Temp Range = -40°C to +121°C  
 Operating Temp Code: T4  
 Ambient Temp Range = -40°C to +80°C  
 Control Drawing INS10012  
 Ex ia IIC T3 -40°C < Ta < +121°C  
 Ex ia IIC T4 -40°C < Ta < +80°C  
 Ui=28VDC Ii = 120mA  
 Ci = 80.9nF Li = 336uH Pi = 1W  
 CSA 221421

Sira 15ATEX2152X  
 Ex ia IIC T3-T4 Ga  
 Ex ia I Ma


IECEx SIR 15.0060X  
 Ex ia IIC T3-T4 Ga  
 Ex ia I Ma

CSA 22UKEX1408X  
 Ex ia IIC T3 or T4 Ga  
 Ex ia I Ma  
 (XXXX)



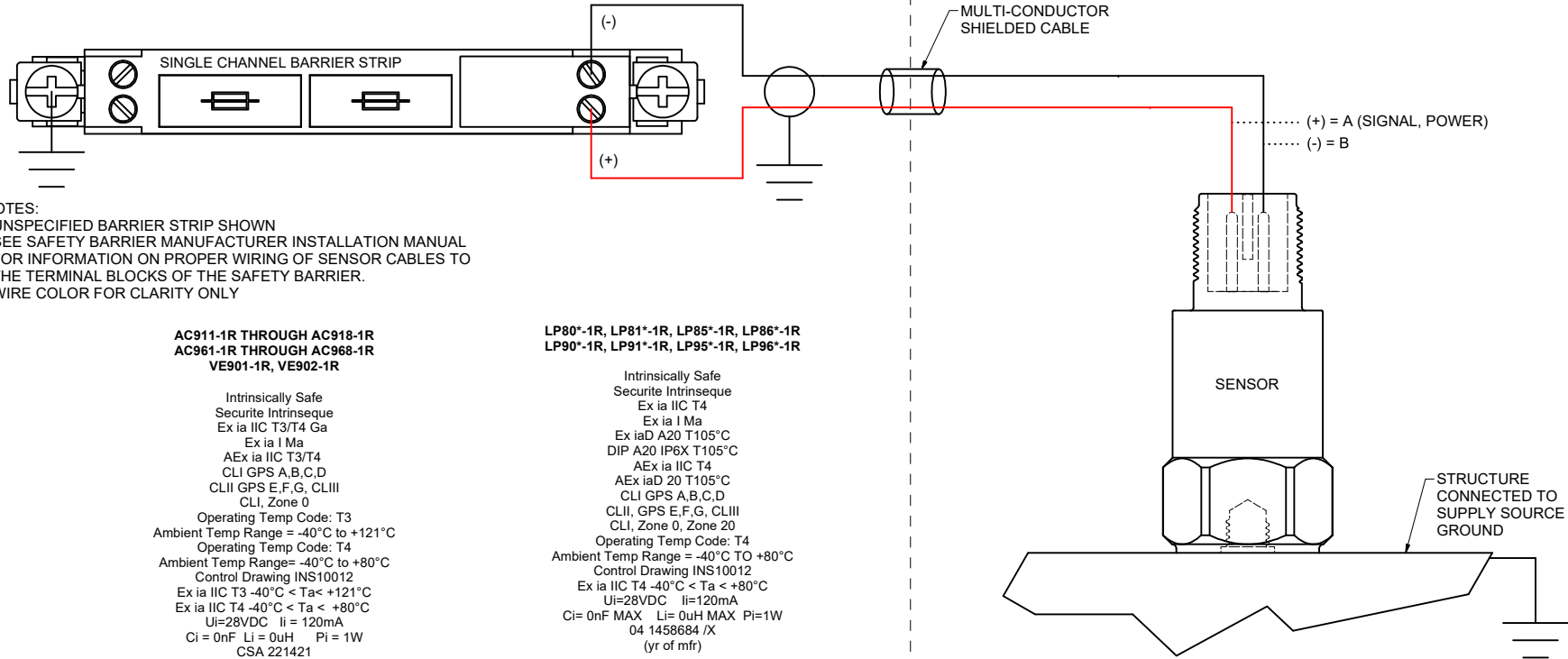
NOTES:  
 - DO NOT PARALLEL ASSOCIATE APPARATUS UNLESS PERMITTED BY ASSOCIATED APPARATUS APPROVAL  
 - CABLE CAPACITANCE & INDUCTANCE PLUS THE I.S. APPARATUS UNPROTECTED CAPACITANCE (Ci) AND INDUCTANCE (Li) MUST NOT EXCEED THE ALLOWED CAPACITANCE (Ca) AND INDUCTANCE (La) INDICATED ON THE ASSOCIATED APPARATUS  
 [(Cable + Ci < Ca) & (Lcable + Li < La)]

REV	DESCRIPTION	ECO#	DESIGNER	ENG APPROVED	DATE	MFG APPROVED	DATE
L	UPDATED TO INCLUDE Ex ia Ma	-	CRW	LC	02/22/2023	JN	02/22/2023
J	REMOVED WT83*, CHANGED TO 120mA	-	CRW	JBD	02/19/2019	AJN	02/19/2019
A	UPDATE TO LP TEMP CODE CHANGE, ZONE DESIGNATION ADDED	-	JDB	SAS	4/27/2007	-	-
K	CHANGED FORMAT TO BE MORE SPECIFIC, ADDED UK CA	-	CRW	LC	02/07/2022	JN	02/07/2022
H	ADDED SINGLE CHANNEL BARRIER WIRING OPTIONS, UPDATE LAYOUT OF DRAWINGS AND ADD MODAL TRIAX VARIATION, MOVE ADDRESS TO TITLE BLOCK, SEPERATED TA & BIAXIAL SENSORS	-	CRW / DMG	MGS	4/18/2017	JLS	4/18/2017
G	ADDING CTC ADDRESS	-	CRW	TJW	6/15/2015	-	-
F	ADDED "X" TO ATEX AND IECEx CERTIFICATE NUMBERS	-	CRW	TJW	6/11/2015	-	-
E	ADDED NOTE ABOUT BARRIER WIRING	-	CRW	TJW	6/10/2015	-	-
D	UPDATED ENTITY PARAMETERS	-	CRW	TL	6/4/2015	-	-
C	ADD TA/TRIAX VARIATIONS	-	DMG	CRW	5/1/2015	-	-
B	UPDATE TO ADD LOW CAPACITANCE/DUST APPROVAL	-	DMG	SAS	12/21/2009	-	-

 <b>CONNECTION TECHNOLOGY CENTER, INC</b> 7939 RAE BLVD. VICTOR NY, 14564	<b>MATERIAL</b> ALL DIMENSIONS ARE IN INCHES UNLESS OTHERWISE SPECIFIED TOLERANCES (UNLESS SPECIFIED) XXX ± 0.005 XX ± 0.01 X ± 0.1 ANGLE ± 2° BREAK ALL SHARP EDGES .010 MAX	
	<b>PART #:</b> INS10012	<b>SHEET</b> 6 / 16
<b>DESCRIPTION:</b> INTRINSIC SAFE SENSOR CONTROL DRAWING		NOT DRAWN TO SCALE

NON-HAZARDOUS AREA

HAZARDOUS AREA



NOTES:  
 - UNSPECIFIED BARRIER STRIP SHOWN  
 - SEE SAFETY BARRIER MANUFACTURER INSTALLATION MANUAL FOR INFORMATION ON PROPER WIRING OF SENSOR CABLES TO THE TERMINAL BLOCKS OF THE SAFETY BARRIER.  
 - WIRE COLOR FOR CLARITY ONLY

**AC911-1R THROUGH AC918-1R  
 AC961-1R THROUGH AC968-1R  
 VE901-1R, VE902-1R**

Intrinsically Safe  
 Securite Intrinsicque  
 Ex ia IIC T3/T4 Ga  
 Ex ia I Ma  
 AEx ia IIC T3/T4  
 CLI GPS A,B,C,D  
 CLII GPS E,F,G, CLIII  
 CLI, Zone 0  
 Operating Temp Code: T3  
 Ambient Temp Range = -40°C to +121°C  
 Operating Temp Code: T4  
 Ambient Temp Range = -40°C to +80°C  
 Control Drawing INS10012  
 Ex ia IIC T3 -40°C < Ta < +121°C  
 Ex ia IIC T4 -40°C < Ta < +80°C  
 Ui=28VDC li = 120mA  
 Ci = 0nF Li = 0uH Pi = 1W  
 CSA 221421

Sira 15ATEX2152X  
 Ex ia IIC T3-T4 Ga  
 Ex ia I Ma

IECEx SIR 15.0060X  
 Ex ia IIC T3-T4 Ga  
 Ex ia I Ma

CSA 22UKEX1408X  
 Ex ia IIC T3 or T4 Ga  
 Ex ia I Ma  
 (XXXX)

**LP80\*-1R, LP81\*-1R, LP85\*-1R, LP86\*-1R  
 LP90\*-1R, LP91\*-1R, LP95\*-1R, LP96\*-1R**

Intrinsically Safe  
 Securite Intrinsicque  
 Ex ia IIC T4  
 Ex ia I Ma  
 Ex iaD A20 T105°C  
 DIP A20 IP6X T105°C  
 AEx ia IIC T4  
 AEx iaD 20 T105°C  
 CLI GPS A,B,C,D  
 CLII, GPS E,F,G, CLIII  
 CLI, Zone 0, Zone 20  
 Operating Temp Code: T4  
 Ambient Temp Range = -40°C TO +80°C  
 Control Drawing INS10012  
 Ex ia IIC T4 -40°C < Ta < +80°C  
 Ui=28VDC li=120mA  
 Ci= 0nF MAX Li= 0uH MAX Pi=1W  
 04 1458684 /X  
 (yr of mfr)


Sira 15ATEX2152X  
 Ex ia IIC T3-T4 Ga  
 Ex ia I Ma

IECEx SIR 15.0060X  
 Ex ia IIC T3-T4 Ga  
 Ex ia I Ma

CSA 22UKEX1408X  
 Ex ia IIC T3 or T4 Ga  
 Ex ia I Ma  
 (XXXX)

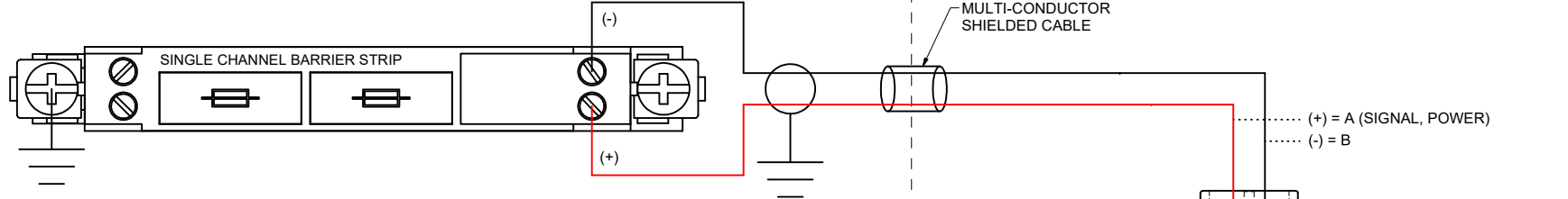
NOTES:  
 - DO NOT PARALLEL ASSOCIATE APPARATUS UNLESS PERMITTED BY ASSOCIATED APPARATUS APPROVAL  
 - CABLE CAPACITANCE & INDUCTANCE PLUS THE I.S. APPARATUS UNPROTECTED CAPACITANCE (Ci) AND INDUCTANCE (Li) MUST NOT EXCEED THE ALLOWED CAPACITANCE (Ca) AND INDUCTANCE (La) INDICATED ON THE ASSOCIATED APPARATUS  
 [(Cable + Ci < Ca) & (Lcable + Li < La)]

REV	DESCRIPTION	ECO#	DESIGNER	ENG APPROVED	DATE	MFG APPROVED	DATE
L	UPDATED TO INCLUDE Ex ia Ma	-	CRW	LC	02/22/2023	JN	02/22/2023
K	CHANGED FORMAT TO BE MORE SPECIFIC, ADDED UK CA	-	CRW	LC	02/07/2022	JN	02/07/2022
J	REMOVED WT83", CHANGED TO 120mA	-	CRW	JBD	02/19/2019	AJN	02/19/2019
H	ADDED SINGLE CHANNEL BARRIER WIRING OPTIONS, UPDATE LAYOUT OF DRAWINGS AND ADD MODAL TRIAX VARIATION, MOVE ADDRESS TO TITLE BLOCK, SEPERATED TA & BIAIXIAL SENSORS	-	CRW / DMG	MGS	4/18/2017	JLS	4/18/2017
G	ADDING CTC ADDRESS	-	CRW	TJW	6/15/2015	-	-
F	ADDED "X" TO ATEX AND IECEx CERTIFICATE NUMBERS	-	CRW	TJW	6/11/2015	-	-

 <b>CONNECTION TECHNOLOGY CENTER, INC</b> 7939 RAE BLVD. VICTOR NY, 14564	<b>MATERIAL</b>	ALL DIMENSIONS ARE IN INCHES UNLESS OTHERWISE SPECIFIED TOLERANCES (UNLESS SPECIFIED) XXX ± 0.005 XX ± 0.01 63 X ± 0.1 ANGLE ± 2° BREAK ALL SHARP EDGES .010 MAX
	<b>PART #:</b>	SHEET
INS10012		7 / 16
<b>DESCRIPTION:</b>		NOT DRAWN TO SCALE
INTRINSIC SAFE SENSOR CONTROL DRAWING		

NON-HAZARDOUS AREA

HAZARDOUS AREA



NOTES:

- UNSPECIFIED BARRIER STRIP SHOWN
- SEE SAFETY BARRIER MANUFACTURER INSTALLATION MANUAL FOR INFORMATION ON PROPER WIRING OF SENSOR CABLES TO THE TERMINAL BLOCKS OF THE SAFETY BARRIER.
- WIRE COLOR FOR CLARITY ONLY

**AC911-XR THROUGH AC918-XR  
AC961-XR THROUGH AC968-XR  
VE901-XR, VE902-XR**

Intrinsically Safe  
 Securite Intrinsic  
 Ex ia IIC T3/T4 Ga  
 Ex ia I Ma  
 AEx ia IIC T3/T4  
 CLI GPS A,B,C,D  
 CLII GPS E,F,G, CLIII  
 CLI, Zone 0  
 Operating Temp Code: T3  
 Ambient Temp Range = -40°C to +121°C  
 Operating Temp Code: T4  
 Ambient Temp Range = -40°C to +80°C  
 Control Drawing INS10012  
 Ex ia IIC T3 -40°C < Ta < +121°C  
 Ex ia IIC T4 -40°C < Ta < +80°C  
 Ui=28VDC li = 120mA  
 Ci = 0nF Li = 336uH Pi = 1W  
 CSA 221421

Sira 15ATEX2152X  
 Ex ia IIC T3-T4 Ga  
 Ex ia I Ma

IECEX SIR 15.0060X  
 Ex ia IIC T3-T4 Ga  
 Ex ia I Ma

CSA 22UKEX1408X  
 Ex ia IIC T3 or T4 Ga  
 Ex ia I Ma  
 (XXXX)

**LP80\*-XR, LP81\*-XR, LP85\*-XR, LP86\*-XR  
LP90\*-XR, LP91\*-XR, LP95\*-XR, LP96\*-XR**

Intrinsically Safe  
 Securite Intrinsic  
 Ex ia IIC T4  
 Ex ia I Ma  
 Ex iaD A20 T105°C  
 DIP A20 IP6X T105°C  
 AEx ia IIC T4  
 AEx iaD 20 T105°C  
 CLI GPS A,B,C,D  
 CLII, GPS E,F,G, CLIII  
 CLI, Zone 0, Zone 20  
 Operating Temp Code: T4  
 Ambient Temp Range = -40°C TO +80°C  
 Control Drawing INS10012  
 Ex ia IIC T4 -40°C < Ta < +80°C  
 Ui=28VDC li=120mA  
 Ci=80.4nF MAX Li=336uH MAX Pi=1W  
 04 1458684 /X  
 (yr of mfr)

Sira 15ATEX2152X  
 Ex ia IIC T3-T4 Ga  
 Ex ia I Ma


IECEX SIR 15.0060X  
 Ex ia IIC T3-T4 Ga  
 Ex ia I Ma

CSA 22UKEX1408X  
 Ex ia IIC T3 or T4 Ga  
 Ex ia I Ma  
 (XXXX)

NOTES:

- DO NOT PARALLEL ASSOCIATE APPARATUS UNLESS PERMITTED BY ASSOCIATED APPARATUS APPROVAL
- CABLE CAPACITANCE & INDUCTANCE PLUS THE I.S. APPARATUS UNPROTECTED CAPACITANCE (Ci) AND INDUCTANCE (Li) MUST NOT EXCEED THE ALLOWED CAPACITANCE (Ca) AND INDUCTANCE (La) INDICATED ON THE ASSOCIATED APPARATUS
- [(Cable + Ci < Ca) & (Lcable + Li < La)]

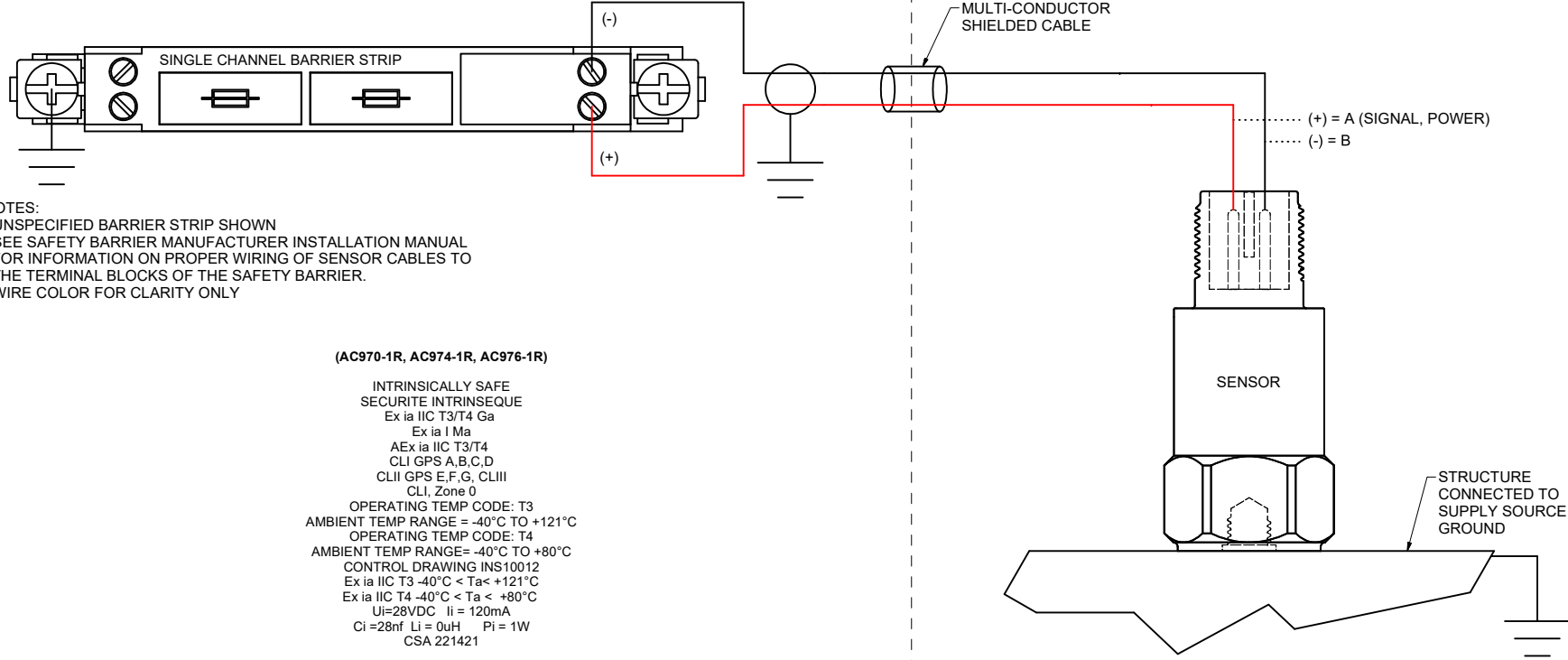
REV	DESCRIPTION	ECO#	DESIGNER	ENG APPROVED	DATE	MFG APPROVED	DATE
L	UPDATED TO INCLUDE Ex ia Ma	-	CRW	LC	02/22/2023	JN	02/22/2023
K	CHANGED FORMAT TO BE MORE SPECIFIC, ADDED UK CA	-	CRW	LC	02/07/2022	JN	02/07/2022
J	REMOVED WT83*, CHANGED TO 120mA	-	CRW	JBD	02/19/2019	AJN	02/19/2019
H	ADDED SINGLE CHANNEL BARRIER WIRING OPTIONS, UPDATE LAYOUT OF DRAWINGS AND ADD MODAL TRIAX VARIATION, MOVE ADDRESS TO TITLE BLOCK, SEPERATED TA & BIAIXIAL SENSORS	-	CRW / DMG	MGS	4/18/2017	JLS	4/18/2017
G	ADDING CTC ADDRESS	-	CRW	TJW	6/15/2015	-	-
F	ADDED "X" TO ATEX AND IECEX CERTIFICATE NUMBERS	-	CRW	TJW	6/11/2015	-	-

 <b>CONNECTION TECHNOLOGY CENTER, INC</b> 7939 RAE BLVD. VICTOR NY, 14564	<b>MATERIAL</b> -	ALL DIMENSIONS ARE IN INCHES UNLESS OTHERWISE SPECIFIED TOLERANCES (UNLESS SPECIFIED) XXX ± 0.005 XX ± 0.01 X ± 0.1 ANGLE ± 2° BREAK ALL SHARP EDGES .010 MAX
		<b>PART #:</b> INS10012
<b>DESCRIPTION:</b> INTRINSIC SAFE SENSOR CONTROL DRAWING		NOT DRAWN TO SCALE



NON-HAZARDOUS AREA

HAZARDOUS AREA



- NOTES:  
 - UNSPECIFIED BARRIER STRIP SHOWN  
 - SEE SAFETY BARRIER MANUFACTURER INSTALLATION MANUAL FOR INFORMATION ON PROPER WIRING OF SENSOR CABLES TO THE TERMINAL BLOCKS OF THE SAFETY BARRIER.  
 - WIRE COLOR FOR CLARITY ONLY

(AC970-1R, AC974-1R, AC976-1R)

INTRINSICALLY SAFE  
 SECURITE INTRINSEQUE  
 Ex ia IIC T3/T4 Ga  
 Ex ia I Ma  
 AEx ia IIC T3/T4  
 CLI GPS A,B,C,D  
 CLII GPS E,F,G, CLIII  
 CLI, Zone 0  
 OPERATING TEMP CODE: T3  
 AMBIENT TEMP RANGE = -40°C TO +121°C  
 OPERATING TEMP CODE: T4  
 AMBIENT TEMP RANGE = -40°C TO +80°C  
 CONTROL DRAWING INS10012  
 Ex ia IIC T3 -40°C < Ta < +121°C  
 Ex ia IIC T4 -40°C < Ta < +80°C  
 Ui=28VDC Ii = 120mA  
 Ci = 28nf Li = 0uH Pi = 1W  
 CSA 221421


Sira 15ATEX2152X  
 Ex ia IIC T3 Ga  
 Ex ia I Ma

IECEx SIR 15.0060X  
 Ex ia IIC T3 Ga  
 Ex ia I Ma

CSA 22UKEX1408X  
 Ex ia IIC T3 or T4 Ga  
 Ex ia I Ma  
 (XXXX)

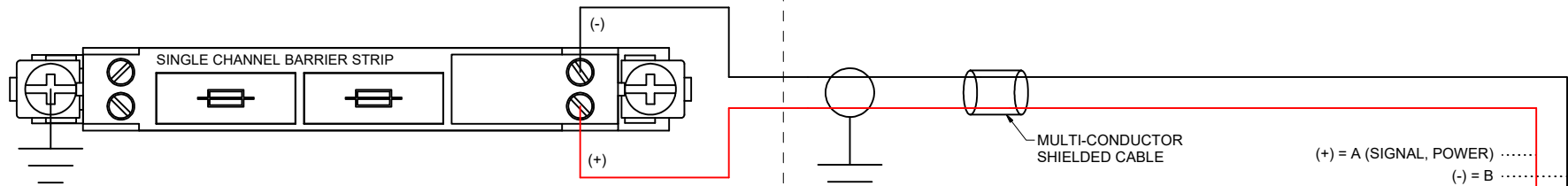
- NOTES:  
 - DO NOT PARALLEL ASSOCIATE APPARATUS UNLESS PERMITTED BY ASSOCIATED APPARATUS APPROVAL  
 - CABLE CAPACITANCE & INDUCTANCE PLUS THE I.S. APPARATUS UNPROTECTED CAPACITANCE (Ci) AND INDUCTANCE (Li) MUST NOT EXCEED THE ALLOWED CAPACITANCE (Ca) AND INDUCTANCE (La) INDICATED ON THE ASSOCIATED APPARATUS  
 [(Cable + Ci < Ca) & (Lcable + Li < La)]

REV	DESCRIPTION	ECO#	DESIGNER	ENG APPROVED	DATE	MFG APPROVED	DATE
L	UPDATED TO INCLUDE Ex ia Ma	-	CRW	LC	02/22/2023	JN	02/22/2023
K	CHANGED FORMAT TO BE MORE SPECIFIC, ADDED UK CA	-	CRW	LC	02/07/2022	JN	02/07/2022
J	REMOVED WT83*, CHANGED TO 120mA	-	CRW	JBD	02/19/2019	AJN	02/19/2019
H	ADDED SINGLE CHANNEL BARRIER WIRING OPTIONS, UPDATE LAYOUT OF DRAWINGS AND ADD MODAL TRIAX VARIATION, MOVE ADDRESS TO TITLE BLOCK, SEPERATED TA & BIAIXIAL SENSORS	-	CRW / DMG	MGS	4/18/2017	JLS	4/18/2017
G	ADDING CTC ADDRESS	-	CRW	TJW	6/15/2015	-	-
F	ADDED "X" TO ATEX AND IECEx CERTIFICATE NUMBERS	-	CRW	TJW	6/11/2015	-	-

 <b>CONNECTION TECHNOLOGY CENTER, INC</b> 7939 RAE BLVD. VICTOR NY, 14564	<b>MATERIAL</b> -	ALL DIMENSIONS ARE IN INCHES UNLESS OTHERWISE SPECIFIED TOLERANCES (UNLESS SPECIFIED) XXX ± 0.005 XX ± 0.01 X ± 0.1 ANGLE ± 2° BREAK ALL SHARP EDGES .010 MAX
	<b>PART #:</b> INS10012	
<b>DESCRIPTION:</b> INTRINSIC SAFE SENSOR CONTROL DRAWING		SHEET 9 / 16 NOT DRAWN TO SCALE

NON-HAZARDOUS AREA

HAZARDOUS AREA



- NOTES:  
 - UNSPECIFIED BARRIER STRIP SHOWN  
 - SEE SAFETY BARRIER MANUFACTURER INSTALLATION MANUAL FOR INFORMATION ON PROPER WIRING OF SENSOR CABLES TO THE TERMINAL BLOCKS OF THE SAFETY BARRIER.  
 - WIRE COLOR FOR CLARITY ONLY

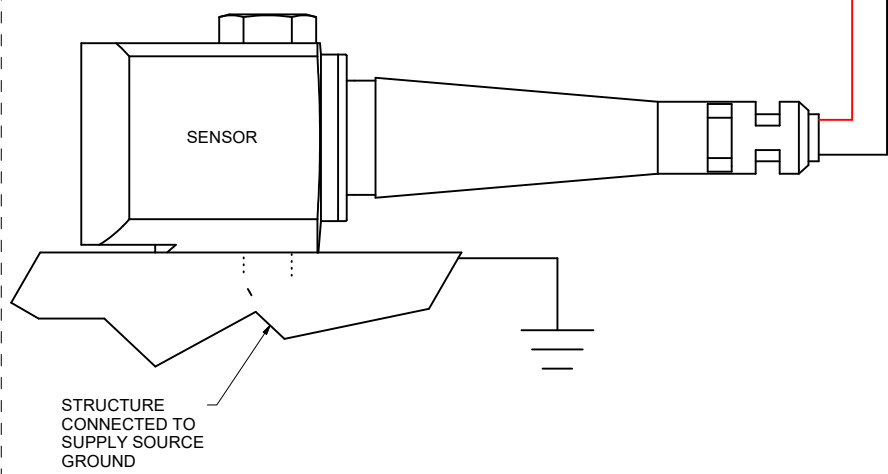
(AC970-2R,3R, AC974-2R,3R, AC976-2R,3R)

INTRINSICALLY SAFE  
 SECURITE INTRINSEQUE  
 Ex ia IIC T3/T4 Ga  
 Ex ia I Ma  
 AEx ia IIC T3/T4  
 CLI GPS A,B,C,D  
 CLII GPS E,F,G, CLIII  
 CLI, Zone 0  
 OPERATING TEMP CODE: T3  
 AMBIENT TEMP RANGE = -40°C TO +121°C  
 OPERATING TEMP CODE: T4  
 AMBIENT TEMP RANGE = -40°C TO +80°C  
 CONTROL DRAWING INS10012  
 Ex ia IIC T3 -40°C < Ta < +121°C  
 Ex ia IIC T4 -40°C < Ta < +80°C  
 Ui=28VDC li = 120mA  
 Ci = 40nf Li = 40.2uH Pi = 1W  
 CSA 221421

Sira 15ATEX2152X  
 Ex ia IIC T3 Ga  
 Ex ia I Ma


IECEx SIR 15.0060X  
 Ex ia IIC T3 Ga  
 Ex ia I Ma

CSA 22UKEX1408X  
 Ex ia IIC T3 or T4 Ga  
 Ex ia I Ma  
 (XXXX)



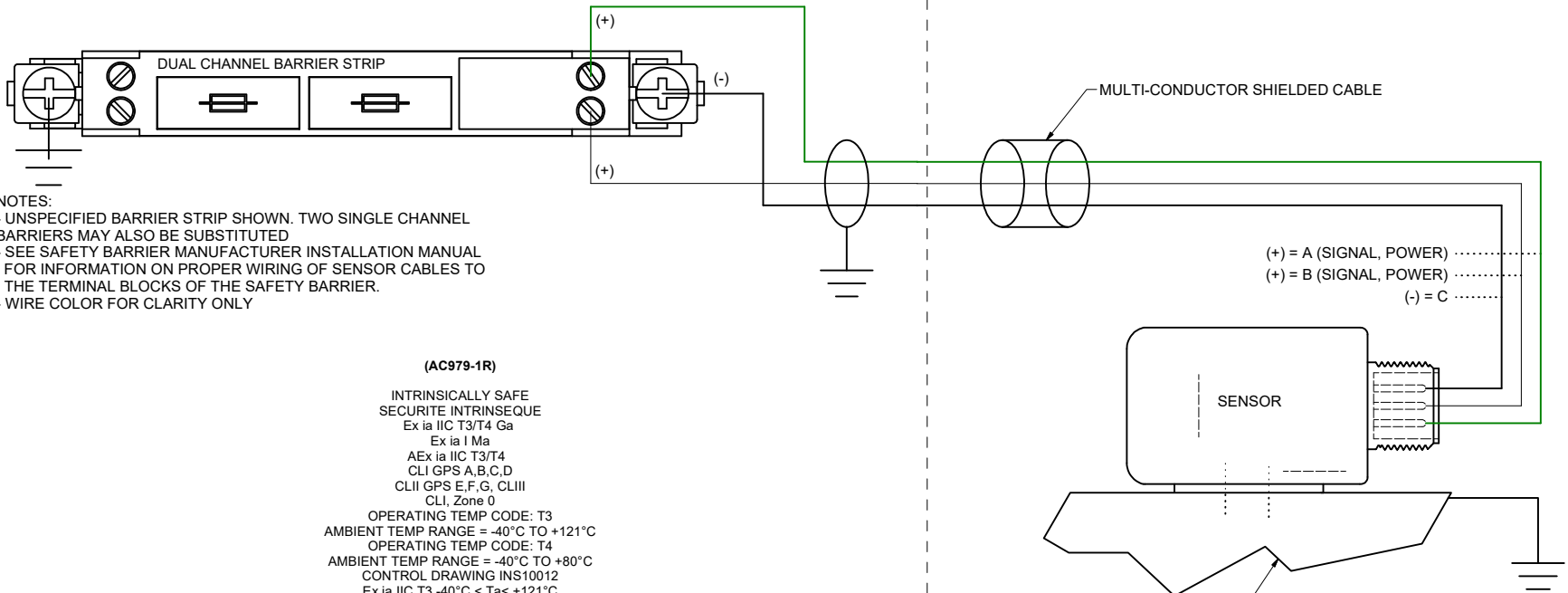
- NOTES:  
 - DO NOT PARALLEL ASSOCIATE APPARATUS UNLESS PERMITTED BY ASSOCIATED APPARATUS APPROVAL  
 - CABLE CAPACITANCE & INDUCTANCE PLUS THE I.S. APPARATUS UNPROTECTED CAPACITANCE (Ci) AND INDUCTANCE (Li) MUST NOT EXCEED THE ALLOWED CAPACITANCE (Ca) AND INDUCTANCE (La) INDICATED ON THE ASSOCIATED APPARATUS  
 [(Cable + Ci < Ca) & (Lcable + Li < La)]

REV	DESCRIPTION	ECO#	DESIGNER	ENG APPROVED	DATE	MFG APPROVED	DATE
L	UPDATED TO INCLUDE Ex ia Ma	-	CRW	LC	02/22/2023	JN	02/22/2023
K	CHANGED FORMAT TO BE MORE SPECIFIC, ADDED UK CA	-	CRW	LC	02/07/2022	JN	02/07/2022
J	REMOVED WT83", CHANGED TO 120mA	-	CRW	JBD	02/19/2019	AJN	02/19/2019
H	ADDED SINGLE CHANNEL BARRIER WIRING OPTIONS, UPDATE LAYOUT OF DRAWINGS AND ADD MODAL TRIAX VARIATION, MOVE ADDRESS TO TITLE BLOCK, SEPERATED TA & BIAIXIAL SENSORS	-	CRW / DMG	MGS	4/18/2017	JLS	4/18/2017
G	ADDING CTC ADDRESS	-	CRW	TJW	6/15/2015	-	-
F	ADDED "X" TO ATEX AND IECEx CERTIFICATE NUMBERS	-	CRW	TJW	6/11/2015	-	-

 <b>CONNECTION TECHNOLOGY CENTER, INC</b> 7939 RAE BLVD. VICTOR NY, 14564	<b>MATERIAL</b> -	ALL DIMENSIONS ARE IN INCHES UNLESS OTHERWISE SPECIFIED TOLERANCES (UNLESS SPECIFIED) XXX ± 0.005 XX ± 0.01 X ± 0.1 ANGLE ± 2° BREAK ALL SHARP EDGES .010 MAX
	<b>PART #:</b> INS10012	
<b>DESCRIPTION:</b> INTRINSIC SAFE SENSOR CONTROL DRAWING		SHEET 10 / 16 NOT DRAWN TO SCALE

NON-HAZARDOUS AREA

HAZARDOUS AREA



NOTES:  
 - UNSPECIFIED BARRIER STRIP SHOWN. TWO SINGLE CHANNEL BARRIERS MAY ALSO BE SUBSTITUTED  
 - SEE SAFETY BARRIER MANUFACTURER INSTALLATION MANUAL FOR INFORMATION ON PROPER WIRING OF SENSOR CABLES TO THE TERMINAL BLOCKS OF THE SAFETY BARRIER.  
 - WIRE COLOR FOR CLARITY ONLY

**(AC979-1R)**  
 INTRINSICALLY SAFE  
 SECURITE INTRINSEQUE  
 Ex ia IIC T3/T4 Ga  
 Ex ia I Ma  
 AEx ia IIC T3/T4  
 CLI GPS A,B,C,D  
 CLII GPS E,F,G, CLIII  
 CLI, Zone 0  
 OPERATING TEMP CODE: T3  
 AMBIENT TEMP RANGE = -40°C TO +121°C  
 OPERATING TEMP CODE: T4  
 AMBIENT TEMP RANGE = -40°C TO +80°C  
 CONTROL DRAWING INS10012  
 Ex ia IIC T3 -40°C < Ta < +121°C  
 Ex ia IIC T4 -40°C < Ta < +80°C  
 Ui=28VDC li = 120mA  
 Ci = 28nf Li = 0uH Pi = 1W  
 CSA 221421  
 Sira 15ATEX2152X  
 Ex ia IIC T3 Ga  
 Ex ia I Ma  
 IECEx SIR 15.0060X  
 Ex ia IIC T3 Ga  
 Ex ia I Ma  
 CSA 22UKEX1408X  
 Ex ia IIC T3 or T4 Ga  
 Ex ia I Ma  
 (XXXX)

STRUCTURE  
 CONNECTED TO  
 SUPPLY SOURCE  
 GROUND

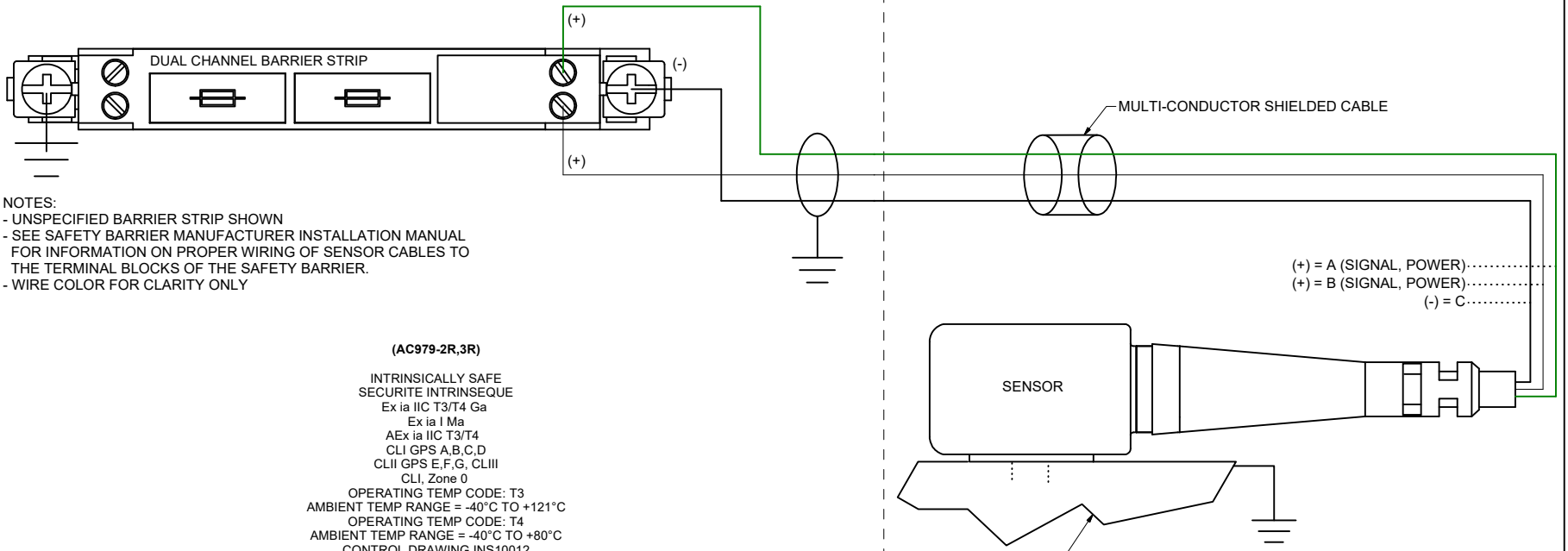
NOTES:  
 - DO NOT PARALLEL ASSOCIATE APPARATUS UNLESS PERMITTED BY ASSOCIATED APPARATUS APPROVAL  
 - CABLE CAPACITANCE & INDUCTANCE PLUS THE I.S. APPARATUS UNPROTECTED CAPACITANCE (Ci) AND INDUCTANCE (Li) MUST NOT EXCEED THE ALLOWED CAPACITANCE (Ca) AND INDUCTANCE (La) INDICATED ON THE ASSOCIATED APPARATUS  
 [(Cable + Ci < Ca) & (Lcable + Li < La)]

REV	DESCRIPTION	ECO#	DESIGNER	ENG APPROVED	DATE	MFG APPROVED	DATE
L	UPDATED TO INCLUDE Ex ia Ma	-	CRW	LC	02/22/2023	JN	02/22/2023
K	CHANGED FORMAT TO BE MORE SPECIFIC, ADDED UK CA	-	CRW	LC	02/07/2022	JN	02/07/2022
J	REMOVED WT83", CHANGED TO 120mA	-	CRW	JBD	02/19/2019	AJN	02/19/2019
H	ADDED SINGLE CHANNEL BARRIER WIRING OPTIONS, UPDATE LAYOUT OF DRAWINGS AND ADD MODAL TRIAX VARIATION, MOVE ADDRESS TO TITLE BLOCK, SEPERATED TA & BIAIXIAL SENSORS	-	CRW / DMG	MGS	4/18/2017	JLS	4/18/2017
G	ADDING CTC ADDRESS	-	CRW	TJW	6/15/2015	-	-
F	ADDED "X" TO ATEX AND IECEx CERTIFICATE NUMBERS	-	CRW	TJW	6/11/2015	-	-

 <b>CONNECTION TECHNOLOGY CENTER, INC</b> 7939 RAE BLVD. VICTOR NY, 14564	<b>MATERIAL</b> -	ALL DIMENSIONS ARE IN INCHES UNLESS OTHERWISE SPECIFIED TOLERANCES (UNLESS SPECIFIED) XXX ± 0.005 XX ± 0.01 X ± 0.1 ANGLE ± 2° BREAK ALL SHARP EDGES .010 MAX
	<b>PART #:</b> INS10012	
<b>DESCRIPTION:</b> INTRINSIC SAFE SENSOR CONTROL DRAWING		SHEET 11 / 16 NOT DRAWN TO SCALE

NON-HAZARDOUS AREA

HAZARDOUS AREA



NOTES:  
 - UNSPECIFIED BARRIER STRIP SHOWN  
 - SEE SAFETY BARRIER MANUFACTURER INSTALLATION MANUAL FOR INFORMATION ON PROPER WIRING OF SENSOR CABLES TO THE TERMINAL BLOCKS OF THE SAFETY BARRIER.  
 - WIRE COLOR FOR CLARITY ONLY


**(AC979-2R,3R)**  
 INTRINSICALLY SAFE  
 SECURITE INTRINSEQUE  
 Ex ia IIC T3/T4 Ga  
 Ex ia I Ma  
 AEx ia IIC T3/T4  
 CLI GPS A,B,C,D  
 CLII GPS E,F,G, CLIII  
 CLI, Zone 0  
 OPERATING TEMP CODE: T3  
 AMBIENT TEMP RANGE = -40°C TO +121°C  
 OPERATING TEMP CODE: T4  
 AMBIENT TEMP RANGE = -40°C TO +80°C  
 CONTROL DRAWING INS10012  
 Ex ia IIC T3 -40°C < Ta < +121°C  
 Ex ia IIC T4 -40°C < Ta < +80°C  
 Ui=28VDC Ii = 120mA  
 Ci = 40nf Li = 40.2 uH Pi = 1W  
 CSA 221421  
  
 Sira 15ATEX2152X  
 Ex ia IIC T3 Ga  
 Ex ia I Ma  
  
 IECEx SIR 15.0060X  
 Ex ia IIC T3 Ga  
 Ex ia I Ma  
  
 CSA 22UKEX1408X  
 Ex ia IIC T3 or T4 Ga  
 Ex ia I Ma  
 (XXXX)

(+) = A (SIGNAL, POWER)  
 (+) = B (SIGNAL, POWER)  
 (-) = C

STRUCTURE  
 CONNECTED TO  
 SUPPLY SOURCE  
 GROUND

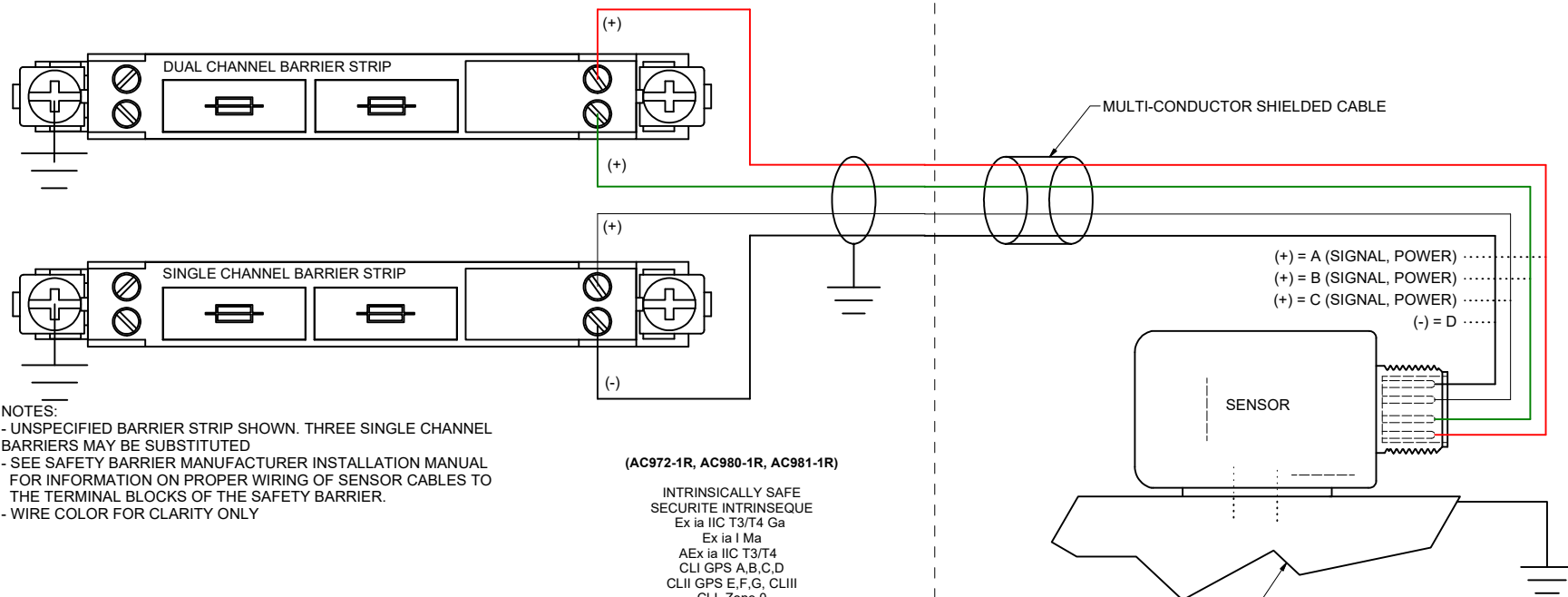
NOTES:  
 - DO NOT PARALLEL ASSOCIATE APPARATUS UNLESS PERMITTED BY ASSOCIATED APPARATUS APPROVAL  
 - CABLE CAPACITANCE & INDUCTANCE PLUS THE I.S. APPARATUS UNPROTECTED CAPACITANCE (Ci) AND INDUCTANCE (Li) MUST NOT EXCEED THE ALLOWED CAPACITANCE (Ca) AND INDUCTANCE (La) INDICATED ON THE ASSOCIATED APPARATUS  
 ((Cable + Ci < Ca) & (Lcable + Li < La))

REV	DESCRIPTION	ECO#	DESIGNER	ENG APPROVED	DATE	MFG APPROVED	DATE
L	UPDATED TO INCLUDE Ex ia Ma	-	CRW	LC	02/22/2023	JN	02/22/2023
K	CHANGED FORMAT TO BE MORE SPECIFIC, ADDED UK CA	-	CRW	LC	02/07/2022	JN	02/07/2022
J	REMOVED WT83", CHANGED TO 120mA	-	CRW	JBD	02/19/2019	AJN	02/19/2019
H	ADDED SINGLE CHANNEL BARRIER WIRING OPTIONS, UPDATE LAYOUT OF DRAWINGS AND ADD MODAL TRIAX VARIATION, MOVE ADDRESS TO TITLE BLOCK, SEPERATED TA & BIAIXIAL SENSORS	-	CRW / DMG	MGS	4/18/2017	JLS	4/18/2017
G	ADDING CTC ADDRESS	-	CRW	TJW	6/15/2015	-	-
F	ADDED "X" TO ATEX AND IECEx CERTIFICATE NUMBERS	-	CRW	TJW	6/11/2015	-	-

 <b>CONNECTION TECHNOLOGY CENTER, INC</b> 7939 RAE BLVD. VICTOR NY, 14564	<b>MATERIAL</b> -	ALL DIMENSIONS ARE IN INCHES UNLESS OTHERWISE SPECIFIED TOLERANCES (UNLESS SPECIFIED) XXX ± 0.005 XX ± 0.01 X ± 0.1 ANGLE ± 2° BREAK ALL SHARP EDGES .010 MAX
	<b>PART #:</b> INS10012	
<b>DESCRIPTION:</b> INTRINSIC SAFE SENSOR CONTROL DRAWING		SHEET 12 / 16 NOT DRAWN TO SCALE

NON-HAZARDOUS AREA

HAZARDOUS AREA



NOTES:  
 - UNSPECIFIED BARRIER STRIP SHOWN. THREE SINGLE CHANNEL BARRIERS MAY BE SUBSTITUTED  
 - SEE SAFETY BARRIER MANUFACTURER INSTALLATION MANUAL FOR INFORMATION ON PROPER WIRING OF SENSOR CABLES TO THE TERMINAL BLOCKS OF THE SAFETY BARRIER.  
 - WIRE COLOR FOR CLARITY ONLY


(AC972-1R, AC980-1R, AC981-1R)

INTRINSICALLY SAFE  
 SECURITE INTRINSEQUE  
 Ex ia IIC T3/T4 Ga  
 Ex ia I Ma  
 AEx ia IIC T3/T4  
 CLI GPS A,B,C,D  
 CLII GPS E,F,G, CLIII  
 CLI, Zone 0  
 OPERATING TEMP CODE: T3  
 AMBIENT TEMP RANGE = -40°C TO +121°C  
 OPERATING TEMP CODE: T4  
 AMBIENT TEMP RANGE = -40°C TO +80°C  
 CONTROL DRAWING INS10012  
 Ex ia IIC T3 -40°C < Ta < +121°C  
 Ex ia IIC T4 -40°C < Ta < +80°C  
 Ui=28VDC li = 120mA  
 Ci = 28nf Li = 0uH Pi = 1W  
 CSA 221421  
 Sira 15ATEX2152X  
 Ex ia IIC T3 Ga  
 Ex ia I Ma  
 IECEx SIR 15.0060X  
 Ex ia IIC T3 Ga  
 Ex ia I Ma  
 CSA 22UKEX1408X  
 Ex ia IIC T3 or T4 Ga  
 Ex ia I Ma  
 (XXXX)

STRUCTURE CONNECTED TO SUPPLY SOURCE GROUND

NOTES:  
 - DO NOT PARALLEL ASSOCIATE APPARATUS UNLESS PERMITTED BY ASSOCIATED APPARATUS APPROVAL  
 - CABLE CAPACITANCE & INDUCTANCE PLUS THE I.S. APPARATUS UNPROTECTED CAPACITANCE (Ci) AND INDUCTANCE (Li) MUST NOT EXCEED THE ALLOWED CAPACITANCE (Ca) AND INDUCTANCE (La) INDICATED ON THE ASSOCIATED APPARATUS  
 [(C<sub>cable</sub> + Ci < Ca) & (L<sub>cable</sub> + Li < La)]

REV	DESCRIPTION	ECO#	DESIGNER	ENG APPROVED	DATE	MFG APPROVED	DATE
L	UPDATED TO INCLUDE Ex ia Ma	-	CRW	LC	02/22/2023	JN	02/22/2023
K	CHANGED FORMAT TO BE MORE SPECIFIC, ADDED UK CA	-	CRW	LC	02/07/2022	JN	02/07/2022
J	REMOVED WT83", CHANGED TO 120mA	-	CRW	JBD	02/19/2019	AJN	02/19/2019
H	ADDED SINGLE CHANNEL BARRIER WIRING OPTIONS, UPDATE LAYOUT OF DRAWINGS AND ADD MODAL TRIAX VARIATION, MOVE ADDRESS TO TITLE BLOCK, SEPERATED TA & BIAIXIAL SENSORS	-	CRW / DMG	MGS	4/18/2017	JLS	4/18/2017
G	ADDING CTC ADDRESS	-	CRW	TJW	6/15/2015	-	-
F	ADDED "X" TO ATEX AND IECEx CERTIFICATE NUMBERS	-	CRW	TJW	6/11/2015	-	-



**CONNECTION TECHNOLOGY CENTER, INC**  
7939 RAE BLVD. VICTOR NY, 14564

**MATERIAL**

ALL DIMENSIONS ARE IN INCHES UNLESS OTHERWISE SPECIFIED  
 TOLERANCES (UNLESS SPECIFIED)  
 XXX ± 0.005  
 XX ± 0.01  
 X ± 0.1  
 ANGLE ± 2°  
 BREAK ALL SHARP EDGES .010 MAX

**PART #:** INS10012

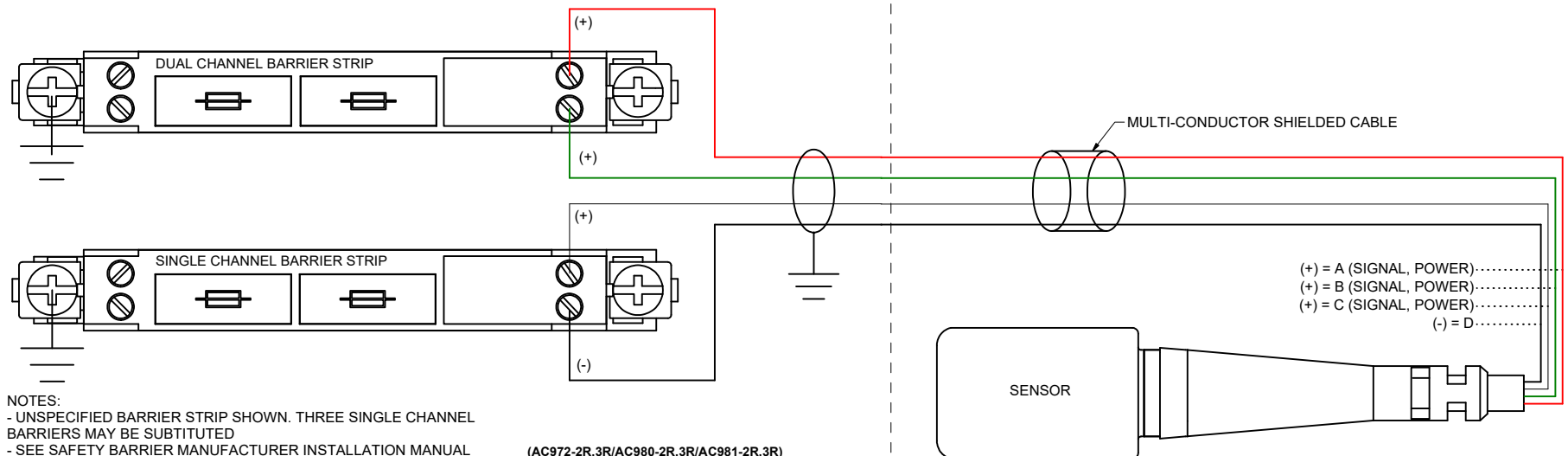
**DESCRIPTION:**  
INTRINSIC SAFE SENSOR CONTROL DRAWING

SHEET  
13 / 16

NOT DRAWN TO SCALE

NON-HAZARDOUS AREA

HAZARDOUS AREA



NOTES:  
 - UNSPECIFIED BARRIER STRIP SHOWN. THREE SINGLE CHANNEL BARRIERS MAY BE SUBSTITUTED  
 - SEE SAFETY BARRIER MANUFACTURER INSTALLATION MANUAL FOR INFORMATION ON PROPER WIRING OF SENSOR CABLES TO THE TERMINAL BLOCKS OF THE SAFETY BARRIER.  
 - WIRE COLOR FOR CLARITY ONLY


**(AC972-2R,3R/AC980-2R,3R/AC981-2R,3R)**  
 INTRINSICALLY SAFE  
 SECURITE INTRINSEQUE  
 Ex ia IIC T3/T4 Ga  
 Ex ia I Ma  
 AEx ia IIC T3/T4  
 CLI GPS A,B,C,D  
 CLII GPS E,F,G, CLIII  
 CLI, Zone 0  
 OPERATING TEMP CODE: T3  
 AMBIENT TEMP RANGE = -40°C TO +121°C  
 OPERATING TEMP CODE : T4  
 AMBIENT TEMP RANGE = -40°C TO +80°C  
 Control Drawing INS10012  
 Ex ia IIC T3 -40°C < Ta< +121°C  
 Ex ia IIC T4 -40°C < Ta < +80°C  
 Ui=28VDC Ii = 120mA  
 Ci = 40nf Li = 40.2uH Pi = 1W  
 CSA 221421  
  
 Sira 15ATEX2152X  
 Ex ia IIC T3 Ga  
 Ex ia I Ma  
  
 IECEx SIR 15.0060X  
 Ex ia IIC T3 Ga  
 Ex ia I Ma  
  
 CSA 22UKEX1408X  
 Ex ia IIC T3 or T4 Ga  
 Ex ia I Ma  
 (XXXX)

STRUCTURE  
 CONNECTED TO  
 SUPPLY SOURCE  
 GROUND

(+) = A (SIGNAL, POWER).....  
 (+) = B (SIGNAL, POWER).....  
 (+) = C (SIGNAL, POWER).....  
 (-) = D.....

NOTES:  
 - DO NOT PARALLEL ASSOCIATE APPARATUS UNLESS PERMITTED BY ASSOCIATED APPARATUS APPROVAL  
 - CABLE CAPACITANCE & INDUCTANCE PLUS THE I.S. APPARATUS UNPROTECTED CAPACITANCE (Ci) AND INDUCTANCE (Li) MUST NOT EXCEED THE ALLOWED CAPACITANCE (Ca) AND INDUCTANCE (La) INDICATED ON THE ASSOCIATED APPARATUS  
 [(C<sub>cable</sub> + C<sub>i</sub> < C<sub>a</sub>) & (L<sub>cable</sub> + L<sub>i</sub> < L<sub>a</sub>)]

REV	DESCRIPTION	ECO#	DESIGNER	ENG APPROVED	DATE	MFG APPROVED	DATE
L	UPDATED TO INCLUDE Ex ia Ma	-	CRW	LC	02/22/2023	JN	02/22/2023
K	CHANGED FORMAT TO BE MORE SPECIFIC, ADDED UK CA	-	CRW	LC	02/07/2022	JN	02/07/2022
J	REMOVED WT83", CHANGED TO 120mA	-	CRW	JBD	02/19/2019	AJN	02/19/2019
H	ADDED SINGLE CHANNEL BARRIER WIRING OPTIONS, UPDATE LAYOUT OF DRAWINGS AND ADD MODAL TRIAX VARIATION, MOVE ADDRESS TO TITLE BLOCK, SEPERATED TA & BIAIXIAL SENSORS	-	CRW / DMG	MGS	4/18/2017	JLS	4/18/2017
G	ADDING CTC ADDRESS	-	CRW	TJW	6/15/2015	-	-
F	ADDED "X" TO ATEX AND IECEx CERTIFICATE NUMBERS	-	CRW	TJW	6/11/2015	-	-



**CONNECTION TECHNOLOGY CENTER, INC**  
7939 RAE BLVD. VICTOR NY, 14564

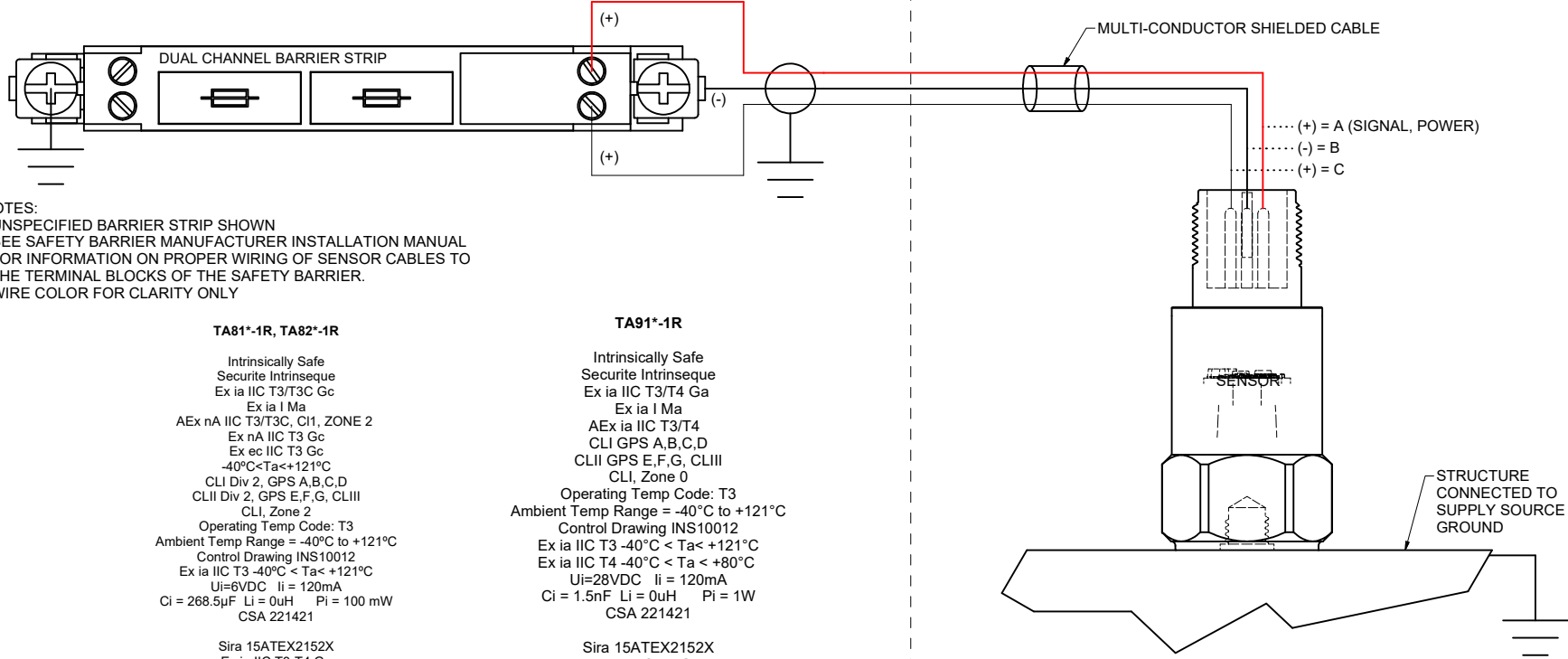
**MATERIAL**

ALL DIMENSIONS ARE IN INCHES UNLESS OTHERWISE SPECIFIED  
 TOLERANCES (UNLESS SPECIFIED)  
 XXX ± 0.005  
 XX ± 0.01  
 X ± 0.1  
 ANGLE ± 2°  
 BREAK ALL SHARP EDGES .010 MAX

<b>PART #:</b>	INS10012
<b>DESCRIPTION:</b>	
INTRINSIC SAFE SENSOR CONTROL DRAWING	
<b>SHEET</b>	14 / 16
NOT DRAWN TO SCALE	

NON-HAZARDOUS AREA

HAZARDOUS AREA



NOTES:  
 - UNSPECIFIED BARRIER STRIP SHOWN  
 - SEE SAFETY BARRIER MANUFACTURER INSTALLATION MANUAL FOR INFORMATION ON PROPER WIRING OF SENSOR CABLES TO THE TERMINAL BLOCKS OF THE SAFETY BARRIER.  
 - WIRE COLOR FOR CLARITY ONLY

**TA81\*-1R, TA82\*-1R**  
 Intrinsically Safe  
 Securite Intrinsic  
 Ex ia IIC T3/T3C Gc  
 Ex ia I Ma  
 AEx nA IIC T3/T3C, C1, ZONE 2  
 Ex nA IIC T3 Gc  
 Ex ec IIC T3 Gc  
 -40°C < Ta < +121°C  
 CLI Div 2, GPS A,B,C,D  
 CLII Div 2, GPS E,F,G, CLIII  
 CLI, Zone 2  
 Operating Temp Code: T3  
 Ambient Temp Range = -40°C to +121°C  
 Control Drawing INS10012  
 Ex ia IIC T3 -40°C < Ta < +121°C  
 Ui=6VDC li = 120mA  
 Ci = 268.5µF Li = 0uH Pi = 100 mW  
 CSA 221421

Sira 15ATEX2152X  
 Ex ia IIC T3-T4 Ga  
 Ex ia I Ma

IECEX SIR 15.0060X  
 Ex ia IIC T3-T4 Ga  
 Ex ia I Ma

CSA 22UKEX1408X  
 Ex ia IIC T3 or T4 Ga  
 Ex ia I Ma  
 (XXXX)

**TA91\*-1R**  
 Intrinsically Safe  
 Securite Intrinsic  
 Ex ia IIC T3/T4 Ga  
 Ex ia I Ma  
 AEx ia IIC T3/T4  
 CLI GPS A,B,C,D  
 CLII GPS E,F,G, CLIII  
 CLI, Zone 0  
 Operating Temp Code: T3  
 Ambient Temp Range = -40°C to +121°C  
 Control Drawing INS10012  
 Ex ia IIC T3 -40°C < Ta < +121°C  
 Ex ia IIC T4 -40°C < Ta < +80°C  
 Ui=28VDC li = 120mA  
 Ci = 1.5nF Li = 0uH Pi = 1W  
 CSA 221421


Sira 15ATEX2152X  
 Ex ia IIC T3 Ga

IECEX SIR 15.0060X  
 Ex ia IIC T3 Ga

CSA 22UKEX1408X  
 Ex ia IIC T3 or T4 Ga  
 (XXXX)

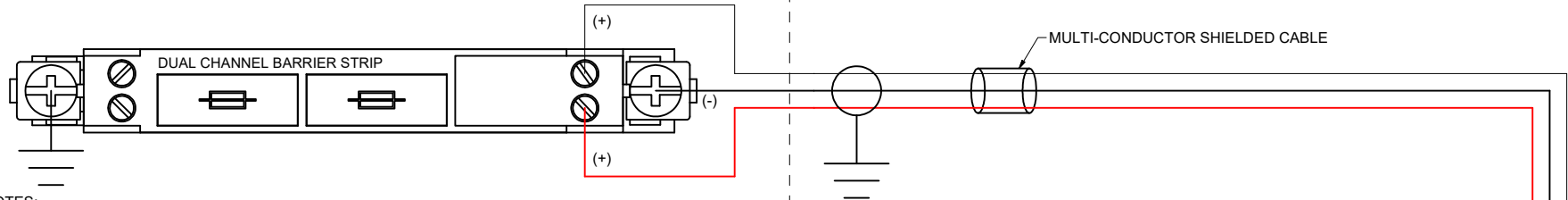
NOTES:  
 - DO NOT PARALLEL ASSOCIATE APPARATUS UNLESS PERMITTED BY ASSOCIATED APPARATUS APPROVAL  
 - CABLE CAPACITANCE & INDUCTANCE PLUS THE I.S. APPARATUS UNPROTECTED CAPACITANCE (Ci) AND INDUCTANCE (Li) MUST NOT EXCEED THE ALLOWED CAPACITANCE (Ca) AND INDUCTANCE (La) INDICATED ON THE ASSOCIATED APPARATUS  
 [(Cable + Ci < Ca) & (Lcable + Li < La)]

REV	DESCRIPTION	ECO#	DESIGNER	ENG APPROVED	DATE	MFG APPROVED	DATE
L	UPDATED TO INCLUDE Ex ia Ma	-	CRW	LC	02/22/2023	JN	02/22/2023
K	CHANGED FORMAT TO BE MORE SPECIFIC, ADDED UK CA	-	CRW	LC	02/07/2022	JN	02/07/2022
J	REMOVED WT83*, CHANGED TO 120mA	-	CRW	JBD	02/19/2019	AJN	02/19/2019
H	ADDED SINGLE CHANNEL BARRIER WIRING OPTIONS, UPDATE LAYOUT OF DRAWINGS AND ADD MODAL TRIAX VARIATION, MOVE ADDRESS TO TITLE BLOCK, SEPERATED TA & BIAIXIAL SENSORS	-	CRW / DMG	MGS	4/18/2017	JLS	4/18/2017
G	ADDING CTC ADDRESS	-	CRW	TJW	6/15/2015	-	-
F	ADDED "X" TO ATEX AND IECEX CERTIFICATE NUMBERS	-	CRW	TJW	6/11/2015	-	-

 <b>CONNECTION TECHNOLOGY CENTER, INC</b> 7939 RAE BLVD. VICTOR NY, 14564	<b>MATERIAL</b> -	ALL DIMENSIONS ARE IN INCHES UNLESS OTHERWISE SPECIFIED TOLERANCES (UNLESS SPECIFIED) XXX ± 0.005 XX ± 0.01 X ± 0.1 ANGLE ± 2° BREAK ALL SHARP EDGES .010 MAX
	<b>PART #:</b> INS10012	
<b>DESCRIPTION:</b> INTRINSIC SAFE SENSOR CONTROL DRAWING		SHEET 15 / 16 NOT DRAWN TO SCALE

NON-HAZARDOUS AREA

HAZARDOUS AREA



NOTES:

- UNSPECIFIED BARRIER STRIP SHOWN. TWO SINGLE CHANNEL BARRIERS MAY BE SUBSTITUTED
- SEE SAFETY BARRIER MANUFACTURER INSTALLATION MANUAL FOR INFORMATION ON PROPER WIRING OF SENSOR CABLES TO THE TERMINAL BLOCKS OF THE SAFETY BARRIER.
- WIRE COLOR FOR CLARITY ONLY

(+) = A (SIGNAL, POWER)....  
 (-) = B.....  
 (+) = C.....

**TA81\*-XR, TA82\*-XR**  
 Intrinsically Safe  
 Securite Intrinseque  
 Ex ia IIC T3/T3C Gc  
 Ex ia I Ma  
 AEx nA IIC T3/T3C, Cl1, ZONE 2  
 Ex nA IIC T3 Gc  
 Ex ec IIC T3 Gc  
 -40°C<Ta<+121°C  
 CL I Div 2, GPS A,B,C,D  
 CL II Div 2, GPS E,F,G, CL III  
 CL I, Zone 2  
 Operating Temp Code: T3  
 Ambient Temp Range = -40°C to +121°C  
 Control Drawing INS10012  
 Ex ia IIC T3 -40°C < Ta < +121°C  
 Ui=6VDC li = 120mA  
 Ci = 281µF Li = 42uH Pi = 100 mW  
 CSA 221421

Sira 15ATEX2152X  
 Ex ia IIC T3-T4 Ga  
 Ex ia I Ma

IECEx SIR 15.0060X  
 Ex ia IIC T3-T4 Ga  
 Ex ia I Ma

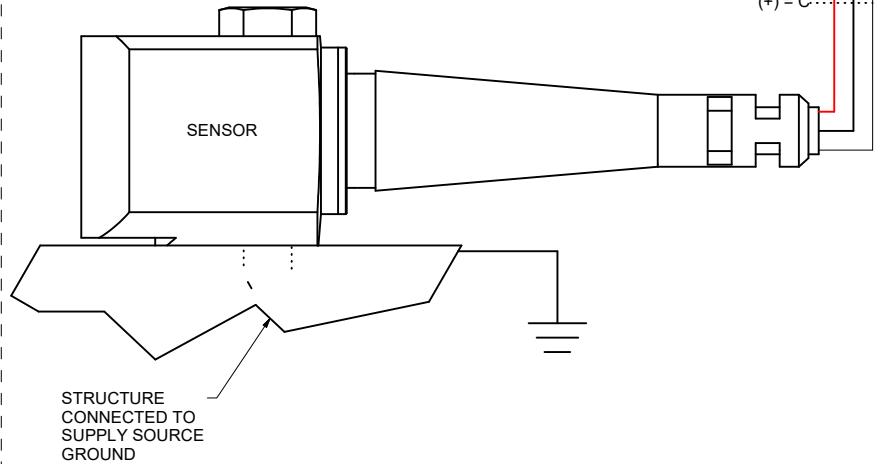
CSA 22UKEX1408X  
 Ex ia IIC T3 or T4 Ga  
 Ex ia I Ma  
 (XXXX)

**TA91\*-XR**  
 Intrinsically Safe  
 Securite Intrinseque  
 Ex ia IIC T3/T4 Ga  
 Ex ia I Ma  
 AEx ia IIC T3/T4  
 CLI GPS A,B,C,D  
 CL II GPS E,F,G, CL III  
 CL I, Zone 0  
 Operating Temp Code: T3  
 Ambient Temp Range = -40°C to +121°C  
 Control Drawing INS10012  
 Ex ia IIC T3 -40°C < Ta < +121°C  
 Ex ia IIC T4 -40°C < Ta < +80°C  
 Ui=28VDC li = 120mA  
 Ci = 82nF Li = 336uH Pi = 1W  
 CSA 221421

Sira 15ATEX2152X  
 Ex ia IIC T3 Ga

IECEx SIR 15.0060X  
 Ex ia IIC T3 Ga


CSA 22UKEX1408X  
 Ex ia IIC T3 or T4 Ga  
 (XXXX)



NOTES:

- DO NOT PARALLEL ASSOCIATE APPARATUS UNLESS PERMITTED BY ASSOCIATED APPARATUS APPROVAL
- CABLE CAPACITANCE & INDUCTANCE PLUS THE I.S. APPARATUS UNPROTECTED CAPACITANCE (Ci) AND INDUCTANCE (Li) MUST NOT EXCEED THE ALLOWED CAPACITANCE (Ca) AND INDUCTANCE (La) INDICATED ON THE ASSOCIATED APPARATUS [(Cable + Ci < Ca) & (Lcable + Li < La)]

REV	DESCRIPTION	ECO#	DESIGNER	ENG APPROVED	DATE	MFG APPROVED	DATE
L	UPDATED TO INCLUDE Ex ia Ma	-	CRW	LC	02/22/2023	JN	02/22/2023
K	CHANGED FORMAT TO BE MORE SPECIFIC, ADDED UK CA	-	CRW	LC	02/07/2022	JN	02/07/2022
J	REMOVED WT83*, CHANGED TO 120mA	-	CRW	JBD	02/19/2019	AJN	02/19/2019
H	ADDED SINGLE CHANNEL BARRIER WIRING OPTIONS, UPDATE LAYOUT OF DRAWINGS AND ADD MODAL TRIAX VARIATION, MOVE ADDRESS TO TITLE BLOCK, SEPERATED TA & BIAXIAL SENSORS	-	CRW / DMG	MGS	4/18/2017	JLS	4/18/2017
G	ADDING CTC ADDRESS	-	CRW	TJW	6/15/2015	-	-

 <b>CONNECTION TECHNOLOGY CENTER, INC</b> 7939 RAE BLVD. VICTOR NY, 14564	<b>MATERIAL</b> -	ALL DIMENSIONS ARE IN INCHES UNLESS OTHERWISE SPECIFIED TOLERANCES (UNLESS SPECIFIED) XXX ± 0.005 XX ± 0.01 X ± 0.1 ANGLE ± 2° BREAK ALL SHARP EDGES .010 MAX
	<b>PART #:</b> INS10012	
<b>DESCRIPTION:</b> INTRINSIC SAFE SENSOR CONTROL DRAWING		SHEET 16 / 16 NOT DRAWN TO SCALE