

PD765

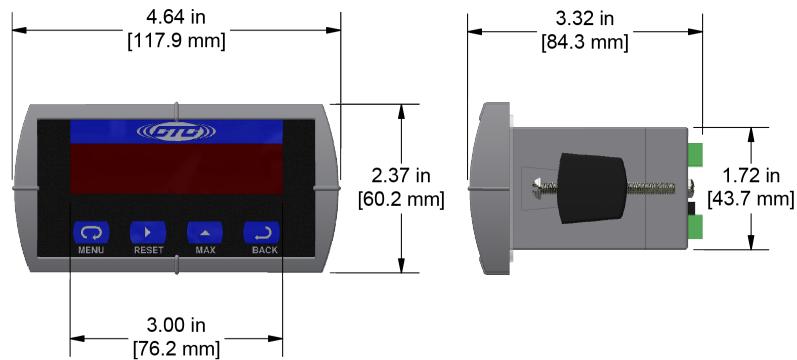
Universal Relay



Product Features

The PD765 Series Protection & Relay System from CTC will display the vibration level from a signal conditioner or a loop power Vibration Sensor/Transmitter, with the capability to trigger alarms and shutdown machinery based on the amplitude of the overall vibration within a selected frequency range.

Line Drawing



Product Highlights

- Sunlight viewable display of vibration levels: IPS, g's, mils or customized scale
- Protect critical equipment with optional relays to trigger alarms or shutdown
- Relay option includes to Form C relays
- Operating temperature range 32°F - 140°F (0°C - 60°C)

Ordering Information

PD765-6R - 10-PR

Input Options

- 0 = Display without Relays
- 2 = Display with 2 set point Relays