

Accelerometer Quick Disconnects

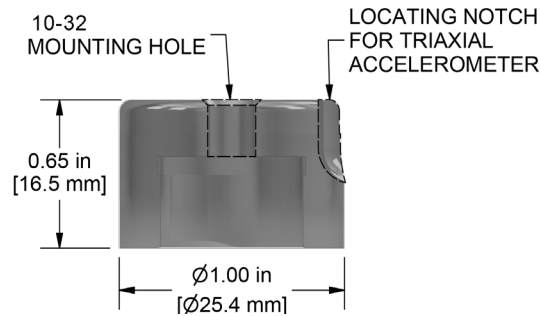


Product Features

Provides Convenient, Consistent Data Collection

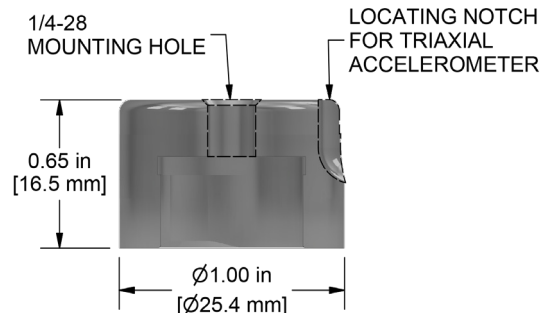
CTC's Accelerometer Quick Disconnects are ideally suited for triaxial sensor use. They feature a convenient locating notch and an easy, quarter-turn connection.

MH106-1A



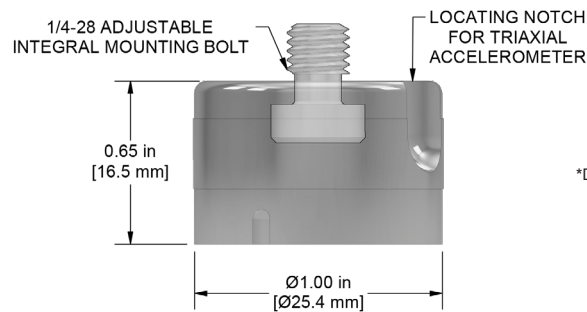
Quick Disconnect Receptacle with 10-32 Tapped Mounting Hole

MH107-1A



Quick Disconnect Receptacle with 1/4-28 Tapped Mounting Hole

MH107-3A



Quick Disconnect Receptacle with 1/4-28 Adjustable Orientation Integral Stud Mounting Bolt, Requires 3/16 in. Hex Key

*Designed for use with wireless sensors. Not compatible with standard CTC wired triaxial accelerometers

Specifications

Broad Frequency Response	0-390,000 CPM (0-6500 Hz)
Rugged	Engages five threads in 1/4 turn
Corrosion Resistant	316L Stainless Steel
Easy to Install	Quick Disconnect Stud may be epoxied and/or stud mounted
90 Degree Engagement	For accurate, repeatable readings with triaxial accelerometers

Accelerometer Quick Disconnects

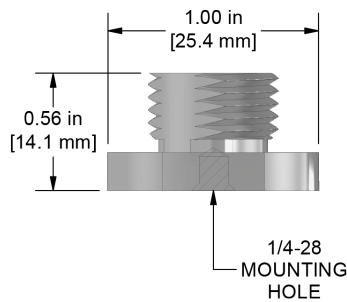
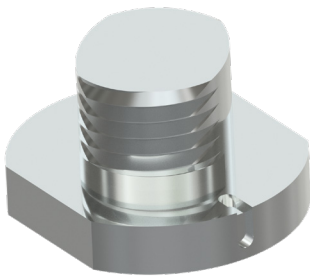


Product Features

Provides Convenient, Consistent Data Collection

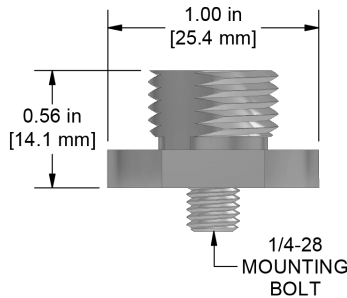
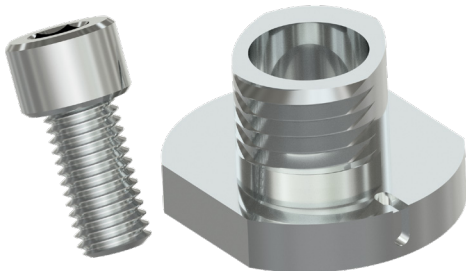
CTC's Accelerometer Quick Disconnects are ideally suited for triaxial sensor use. They feature a convenient locating notch and an easy, quarter-turn connection.

MH107-1B



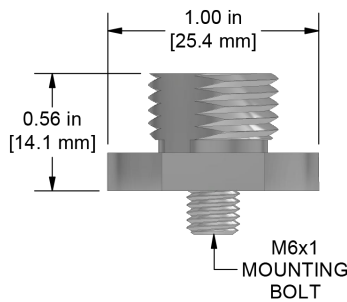
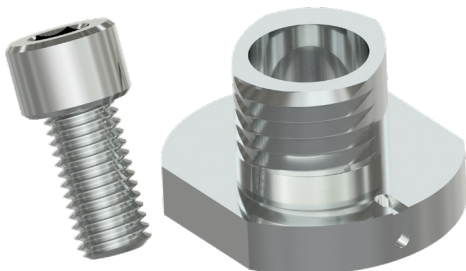
Quick Disconnect
Mounting Stud

MH107-2B



Quick Disconnect
Mounting Stud
with 1/4-28 Threaded Mounting Bolt

MH107-3B



Quick Disconnect
Mounting Stud
with M6x1 Threaded Mounting Bolt

Specifications

Broad Frequency Response	0-390,000 CPM (0-6500 Hz)
Rugged	Engages five threads in 1/4 turn
Corrosion Resistant	316L Stainless Steel
Easy to Install	Quick Disconnect Stud may be epoxied and/or stud mounted
90 Degree Engagement	For accurate, repeatable readings with triaxial accelerometers