

# iBOX Series

Fiberglass (JB110-130), Stainless Steel (JB210-230), or Stainless Steel with a Sloped Top (JB310-330)

## Product Features

**Fully featured vibration junction box with IEPE sensor condition indicator lights, and convenient interface with fold-forward panel for easy wiring.**

- Includes an IEPE bias indicator light to identify when data is to be collected or to show open and short circuit conditions
- Houses up to 12 channel inputs
- Convenient panel placement for easy user interface and hidden cabling
- Flip down panel allows for convenient wiring to terminal blocks
- NEMA 4X (IP66) rating



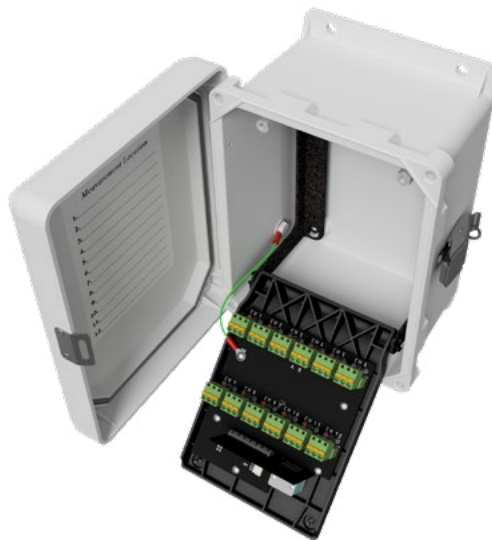
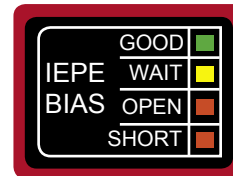
JB110-12A  
Single Channel  
(As Shown)



JB220-12A  
Dual Channel  
(As Shown)



JB330-12A  
Triaxial  
(As Shown)



Flip Down Lid  
To Hide Wiring

## Ordering Information

JB    -

Enclosure Type	Channels	Input Options
110 = Fiberglass Single 120 = Fiberglass Dual 130 = Fiberglass Triax 210 = SST Single 220 = SST Dual 230 = SST Triax 310 = Slope Top Single 320 = Slope Top Dual 330 = Slope Top Triax	04 = 4 Channels 06 = 6 Channels 08 = 8 Channels 10 = 10 Channels 12 = 12 Channels	A = *User Defined Entry With Spring Cage Terminal Blocks B = **Conduit Fitting Cable Entry With Spring Cage Terminal Blocks C = Cord Grip Cable Entry With Spring Cage Terminal Blocks S = †Stainless Steel Cord Grip Entry With Spring Cage Terminal Blocks

**Example Part Number: JB110-4A**

iBOX, Fiberglass Single Enclosure, 4 Channels, User Defined Entry With Spring Cage Terminal Blocks

\* No punch outs are provided in the enclosure for cable entry. User may install any fitting required.

\*\* For use with rigid body conduit.

† Stainless Steel enclosure only.

**Backed by our Unconditional Lifetime Warranty**

[www.ctconline.com](http://www.ctconline.com)



VIBRATION ANALYSIS HARDWARE

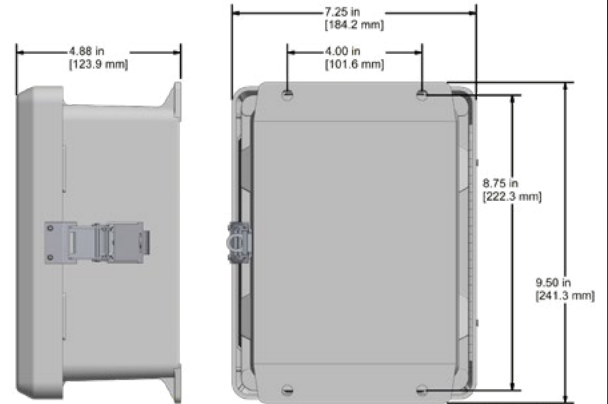
# iBOX Series

Fiberglass (JB110-130), Stainless Steel (JB210-230), or Stainless Steel with a Sloped Top (JB310-330)

## Specifications

### ENCLOSURES

	JB1xx	JB2xx	JB3xx
Material	Fiberglass	Stainless Steel	Stainless Steel Sloped Top
Roof	Standard	Standard	Sloped, Prevents Debris Buildup
Door Closure	Snap Latch	Twist Lock	Twist Lock
Resistance	Hose Directed Fluid and Corrosion		
Rating	NEMA 4X (IP66)		
Temperature Rating	-58° to 180° F (-50° to 82° C)		

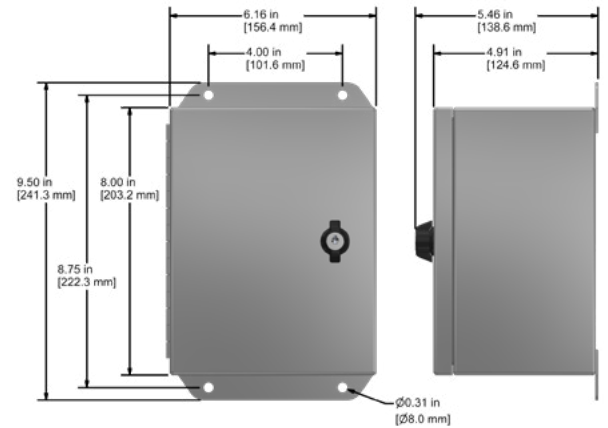


### OPTIONAL TERMINAL PART NUMBERS

	JB1xx	JB2xx	JB3xx
Spring Cage (Included)	JB907-1A	JB930-1A	JB932-1A
Screw Terminal	JB907-2A	JB931-1A	
Continuous Output, Dual Screw Terminal	JB907-3A	JB931-3A	JB933-1A

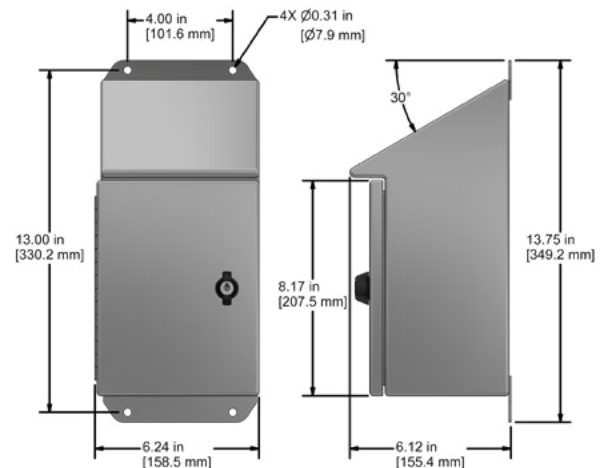
### SWITCH BOARDS

	Single Ch - 10	Dual Ch - 20	Triaxial - 30
Inputs	+, -, Shield	A, B, C, Shield	A, B, C, D, Shield
Wire Termination	Spring Cage Plug		
Switch	2 Pole	3 Pole	4 Pole
Outputs	BNC Jack and 2 Pin MIL	2 x BNC Jack and 3 Pin MIL	3 x BNC Jack and 4 Pin 'J'
Bias Indicator	1 Ch	1 Ch - (A Sig, B Com)	3 Ch - D Common



### ENTRY OPTIONS

	1-4 Ch	5-8 Ch	9-12 Ch
A	User Defined Entry		
B	3/4" Rigid Conduit	1" Rigid Conduit	1-1/4" Rigid Conduit
C	Cord Grip, 0.118 - 0.256" (3,0 - 6,5 mm)		
S	SST Cord Grip, 0.118 - 0.256" (3,0 - 6,5 mm)		



Backed by our Unconditional Lifetime Warranty

[www.ctconline.com](http://www.ctconline.com)



VIBRATION ANALYSIS HARDWARE