

PS01

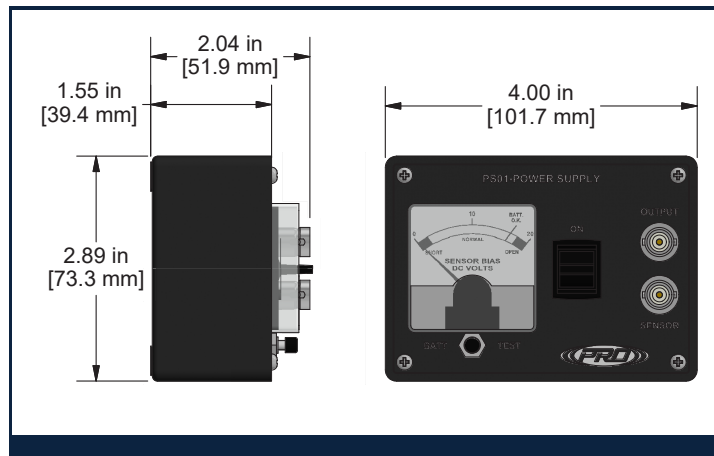
Single Channel Power Supply, BNC Output



Product Features

Power for Accelerometers and Piezo Velocity Transducers

PRO Power Supplies provide long battery life for your sensors. 1 channel units are battery powered



Specifications

	PS01
Sensor Supply Current, Fixed, Nominal	2 to 10 mA
Compliance Voltage	+18 VDC
Monitor Voltmeter Range, Full Scale	20 VDC
Electrical Noise, Broadband	60 μ V, RMS
Sensor Connector	BNC Jack
Output Connector	BNC Jack
Power Source	Two (2) 9V Batteries
Battery Life, Typical	80 hrs
Weight	11 oz (312 g)

Backed by our Unconditional Lifetime Warranty

www.ctconline.com | sales@ctconline.com | 585-924-5900