

DT901

Linear Field Calibration Unit

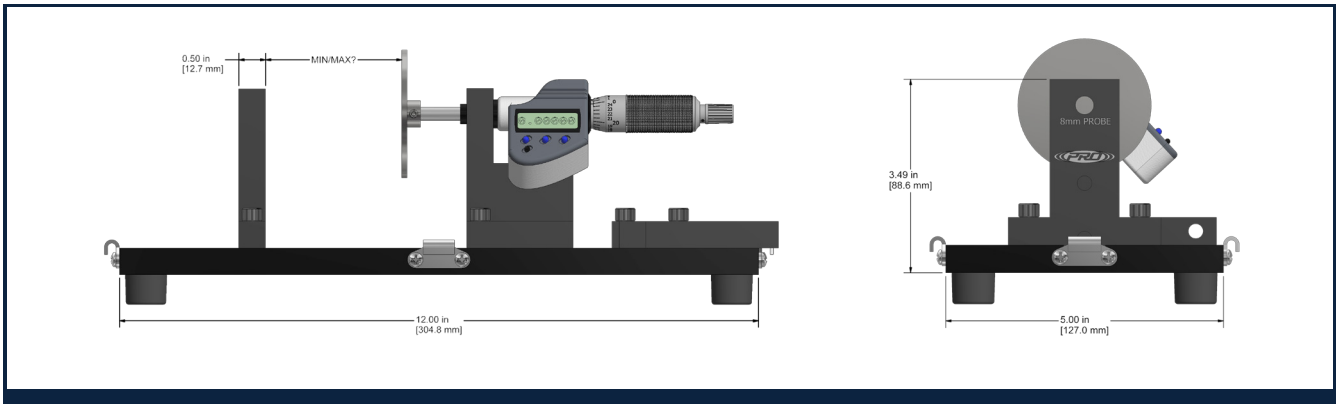
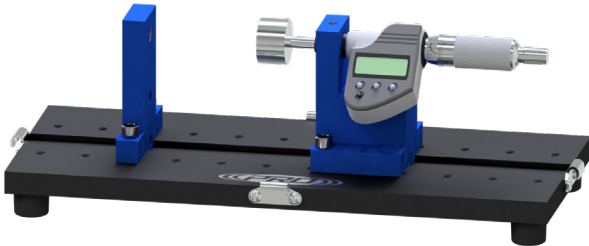


Product Features

Calculate Proximity Probes with the flexibility of shop or field use.

This portable linear calibration unit is usable for standard probe sizes, including 5 or 8 mm casings. The digital micrometer displays either standard or metric units for easy reading.

- Multiple target material options available
- Ratcheting adjustments for increased accuracy
- 1 in. incremental mounting holes for adjustable brackets



Specifications

	Standard	Metric
Technical Data		
Bracket Mounting Holes	1 in. Increments	25 mm Increments
Physical		
Target Materials	4140 Standard (other options available)	
Base Materials	Anodized Aluminum	
Weight	4.5 lbs	2.04 kg
Environmental		
Operating Temp Range	32 to 104 °F	0 to 40 °C
Storage Temp Range	14 to 114 °F	-10 to 60 °C
Digital Micrometer, Electrical		
Battery Type	SR44	
Automatic shutoff	After 20 mins	

Backed by our Unconditional Lifetime Warranty

www.ctconline.com | sales@ctconline.com | 585-924-5900

DT901

Linear Field Calibration Unit



Ordering Information

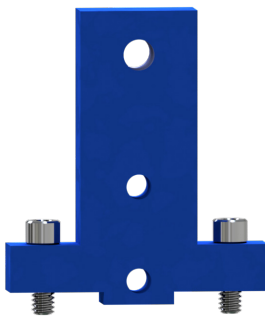
Standard Configuration

DT901-08-S1

Proximity probe field calibration unit with 8mm 3/8-24 probe mount

Additional Accessories

Mounting Brackets



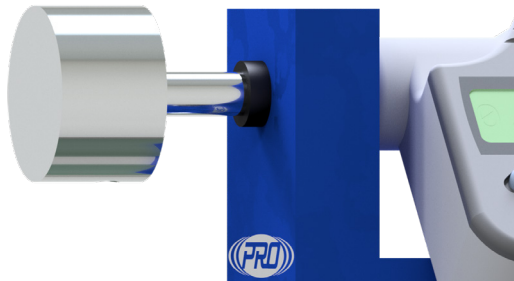
DT902 -



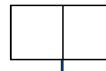
Bracket
05 = 5 mm Tip
08 = 8 mm Tip

Threading
S1 = 1/4-28
M1 = M8x1
S1 = 3/8-24
M1 = M10x1

Target Materials



DT903 -



Target Material
01 = AISI 4140 Steel
02 = 420 Stainless Steel
03 = 7075 Aluminum
04 = 360 Brass

Backed by our Unconditional Lifetime Warranty

www.ctconline.com | sales@ctconline.com | 585-924-5900