

AC192 Series

Compact, Multi-Purpose Accelerometer, Top Exit Connector/Cable, 100 mV/g



VIBRATION ANALYSIS HARDWARE

REGULATORY APPROVALS



PRODUCT FEATURES

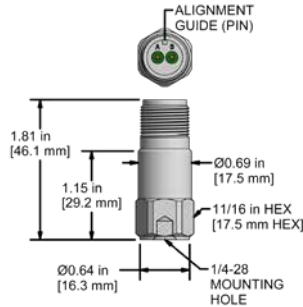
High Performance in an Affordable, Compact Sensor

Very Low Noise & Superior RF Immunity

AC192-1D

2 Pin Connector

Connector Pin	Polarity
A	(+) Signal / Power
B	(-) Common

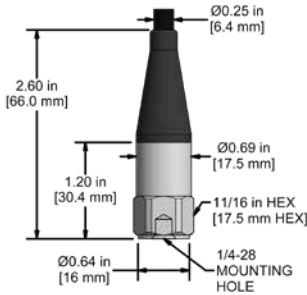


STOCK PRODUCT

AC192-2D

Integral Cable

Conductor	Polarity
Red	(+) Signal / Power
Black	(-) Common
Shield	Cable Drain Wire

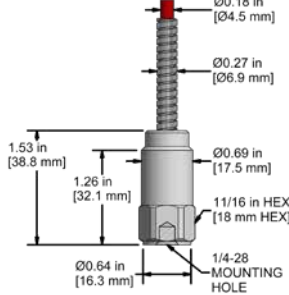


BUILD TO ORDER

AC192-3D

Armored Integral Cable

Conductor	Polarity
Red	(+) Signal / Power
Black	(-) Common
Shield	Cable Drain Wire

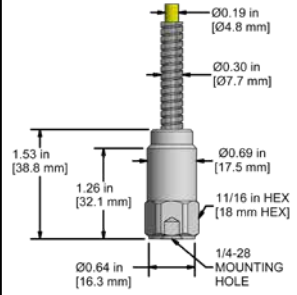


BUILD TO ORDER

AC192-6D

Heavy Duty Armored Integral Cable

Conductor	Polarity
Red	(+) Signal / Power
Black	(-) Common
Shield	Cable Drain Wire



BUILD TO ORDER

Specifications	Standard	Metric
Part Number	AC192	M/AC192
Vibration		
Sensitivity ($\pm 10\%$)		100 mV/g
Frequency Response (± 3 dB)	24 CPM to 780 kCPM	0.4 Hz to 13 kHz
Frequency Response ($\pm 10\%$)	60 CPM to 540 kCPM	1 Hz to 9 kHz
Frequency Response ($\pm 5\%$)	600 CPM to 300 kCPM	10 Hz to 5 kHz
Dynamic Range		± 80 g, peak
Electrical		
Settling Time		< 2 seconds
Voltage Source (IEPE)		18 Vdc to 30 Vdc
Constant Current Excitation		2 mA to 10 mA
Spectral Noise @ 10 Hz		8 μ g/ $\sqrt{\text{Hz}}$
Spectral Noise @ 100 Hz		4 μ g/ $\sqrt{\text{Hz}}$
Spectral Noise @ 1 kHz		2 μ g/ $\sqrt{\text{Hz}}$
Output Impedance		< 100 ohm
Bias Output Voltage		10 Vdc to 14 Vdc
Case Isolation		> 10^9 ohm

Specifications	Standard	Metric
Environmental		
Temperature Range	-58°F to 250°F	-50°C to 121°C
Maximum Shock Protection		5 kg, peak
Electromagnetic Sensitivity		CE
Sealing		Welded, Hermetic (IP68)
Submersible Depth (AC192-2D/3D/6D)	200 ft	60 m
Physical		
Sensing Element		PZT Ceramic
Sensing Structure		Shear Mode
Weight	1.8 ounces	51 grams
Case Material		316L Stainless Steel
Mounting		1/4-28
Connector (non-integral)		2 Pin MIL-C-5015
Resonant Frequency	1560 kCPM	26 kHz
Mounting Torque	2 ft-lb to 5 ft-lb	2.7 N·m to 6.8 N·m
Mounting Hardware	1/4-28 Stud	M6x1 Adapter Stud
Calibration Certificate		CA10

TYPICAL FREQUENCY RESPONSE

