

AC207 Series

High Temperature Accelerometer, Top Exit Connector/ Cable, 100 mV/g



VIBRATION ANALYSIS HARDWARE

REGULATORY APPROVALS



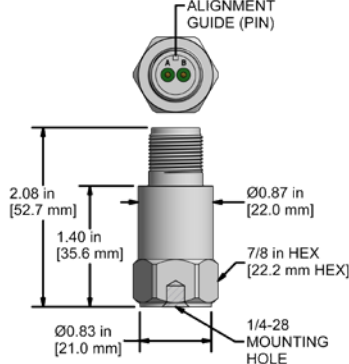
PRODUCT FEATURES

High Temperature (325°F) Sensor

Proven Sensor for Standard High Temperature Applications.
6D Version Features Armor and Heavy Duty Teflon® Jacketed Cable with Armored Shield for Demanding Applications

AC207-1D 2 Pin Connector

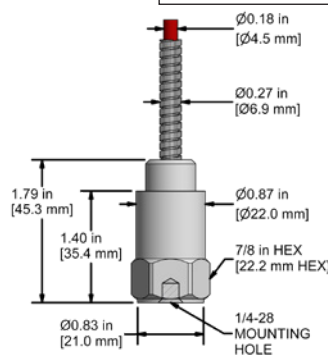
Connector Pin	Polarity
A	(+) Signal / Power
B	(-) Common



STOCK PRODUCT

AC207-5D Armored Integral Cable

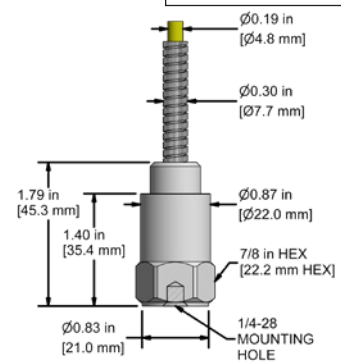
Conductor	Polarity
Red	(+) Signal / Power
Black	(-) Common
Shield	Cable Drain Wire



BUILD TO ORDER

AC207-6D Heavy Duty Armored Integral Cable

Conductor	Polarity
Red	(+) Signal / Power
Black	(-) Common
Shield	Cable Drain Wire

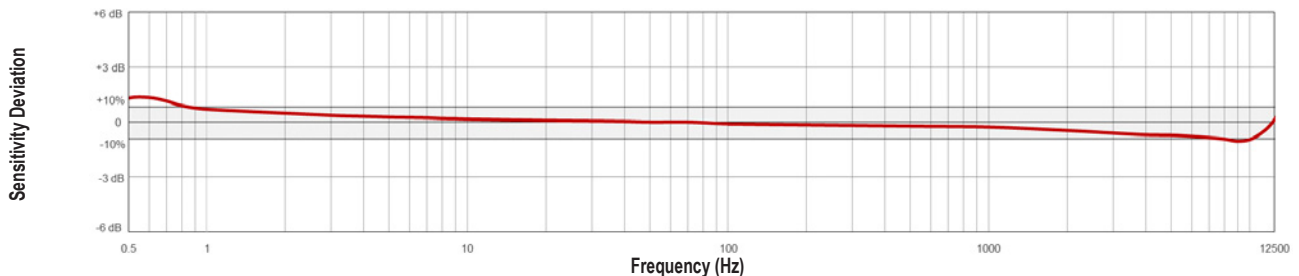


BUILD TO ORDER

Specifications	Standard	Metric
Part Number	AC207	M/AC207
Vibration		
Sensitivity (± 10 %)		100 mV/g
Frequency Response (± 3 dB)	30 CPM to 750 kCPM	0.5 Hz to 12.5 kHz
Frequency Response (± 10 %)	120 CPM to 360 kCPM	2 Hz to 6 kHz
Dynamic Range		± 80 g, peak
Electrical		
Settling Time		< 2.5 seconds
Voltage Source (IEPE)	18 Vdc to 30 Vdc	
Constant Current Excitation	2 mA to 10 mA	
Spectral Noise @ 10 Hz		8 µg/√Hz
Spectral Noise @ 100 Hz		0.82 µg/√Hz
Spectral Noise @ 1 kHz		0.3 µg/√Hz
Output Impedance		< 100 ohm
Bias Output Voltage	10 Vdc to 14 Vdc	
Case Isolation		> 10 ⁸ ohm

Specifications	Standard	Metric
Environmental		
Temperature Range	-58°F to 325°F	-50°C to 162°C
Maximum Shock Protection		5 kg, peak
Electromagnetic Sensitivity		CE
Sealing		Welded, Hermetic (IP68)
Physical		
Sensing Element		PZT Ceramic
Sensing Structure		Shear Mode
Weight	3 ounces	86 grams
Case Material		316L Stainless Steel
Mounting		1/4-28
Connector (non-integral)		2 Pin MIL-C-5015
Resonant Frequency	1380 kCPM	23 kHz
Mounting Torque	2 ft-lb to 5 ft-lb	2.7 N-m to 6.8 N-m
Mounting Hardware	1/4-28 Stud	M6x1 Adapter Stud
Calibration Certificate		CA10

TYPICAL FREQUENCY RESPONSE



UNCONDITIONAL LIFETIME WARRANTY

TOLL-FREE: 800.999.5290

www.CTOnline.com