

AC208 Series

High Temperature Accelerometer, Side Exit Connector/
Cable, 100 mV/g



VIBRATION ANALYSIS HARDWARE

REGULATORY APPROVALS



PRODUCT FEATURES

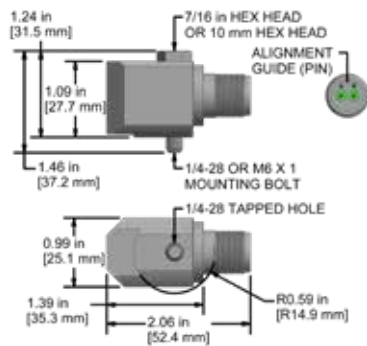
**High Temperature (325°F)
Side Exit Sensor**

Proven Side Exit Sensor for Standard High Temperature Applications

6D Version Features Armor and Heavy Duty Teflon® Jacketed Cable with Braided Shield for Demanding Applications

AC208-1D 2 Pin Connector

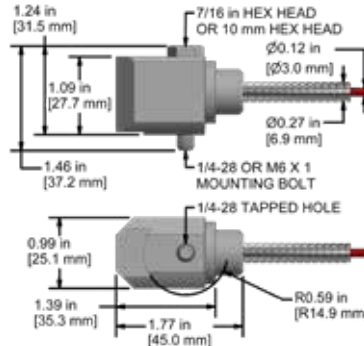
| Connector Pin | Polarity |
|---------------|--------------------|
| A | (+) Signal / Power |
| B | (-) Common |



STOCK PRODUCT

AC208-5D Armored Integral Cable

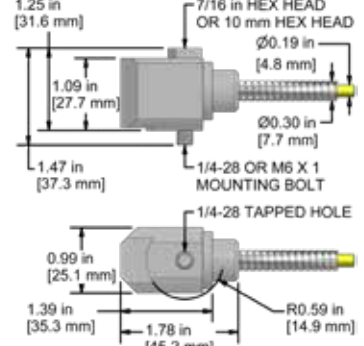
| Conductor | Polarity |
|-----------|--------------------|
| Red | (+) Signal / Power |
| Black | (-) Common |
| Shield | Cable Drain Wire |



BUILD TO ORDER

AC208-6D Heavy Duty Armored Integral Cable

| Conductor | Polarity |
|-----------|--------------------|
| Red | (+) Signal / Power |
| Black | (-) Common |
| Shield | Cable Drain Wire |



BUILD TO ORDER

| Specifications | Standard | Metric |
|-----------------------------|---------------------|-----------------------|
| Part Number | AC208 | M/AC208 |
| Vibration | | |
| Sensitivity (± 10 %) | | 100 mV/g |
| Frequency Response (± 3 dB) | 30 CPM to 660 kCPM | 0.5 Hz to 11 kHz |
| Frequency Response (± 10 %) | 120 CPM to 180 kCPM | 2 Hz to 3 kHz |
| Dynamic Range | | ± 80 g, peak |
| Electrical | | |
| Settling Time | | < 2.5 seconds |
| Voltage Source (IEPE) | 18 Vdc to 30 Vdc | |
| Constant Current Excitation | 2 mA to 10 mA | |
| Spectral Noise @ 10 Hz | | 8 µg/√Hz |
| Spectral Noise @ 100 Hz | | 0.82 µg/√Hz |
| Spectral Noise @ 1 kHz | | 0.3 µg/√Hz |
| Output Impedance | | < 100 ohm |
| Bias Output Voltage | 10 Vdc to 14 Vdc | |
| Case Isolation | | > 10 ⁸ ohm |

| Specifications | Standard | Metric |
|-----------------------------|---------------------|-------------------------|
| Environmental | | |
| Temperature Range | -58°F to 325°F | -50°C to 162°C |
| Maximum Shock Protection | | 5 kg, peak |
| Electromagnetic Sensitivity | | CE |
| Sealing | | Welded, Hermetic (IP68) |
| Physical | | |
| Sensing Element | | PZT Ceramic |
| Sensing Structure | | Shear Mode |
| Weight | 5.1 ounces | 145 grams |
| Case Material | | 316L Stainless Steel |
| Mounting | | Captive Bolt |
| Connector (non-integral) | | 2 Pin MIL-C-5015 |
| Resonant Frequency | 1200 kCPM | 20 kHz |
| Mounting Torque | 2 ft-lb to 5 ft-lb | 2.7 N-m to 6.8 N-m |
| Mounting Hardware | 1/4-28 Captive Bolt | M6x1 Captive Bolt |
| Calibration Certificate | | CA10 |

TYPICAL FREQUENCY RESPONSE

