

# AC324 Series

Low Voltage Accelerometer, Side Exit Connector/Cable,  
25 mV/g



VIBRATION ANALYSIS HARDWARE

REGULATORY APPROVALS



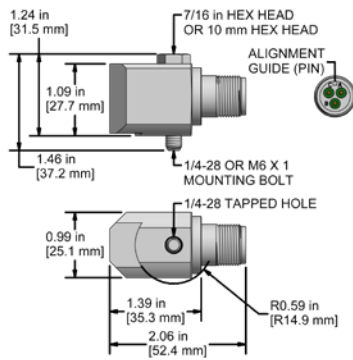
## PRODUCT FEATURES

**Ultra Low Power Sensor For Battery Powered Systems**

**2.5 V Bias Voltage Compatible with CSI 9420 and other Wireless Transmission Systems**

### AC324-1A 3 Pin Connector

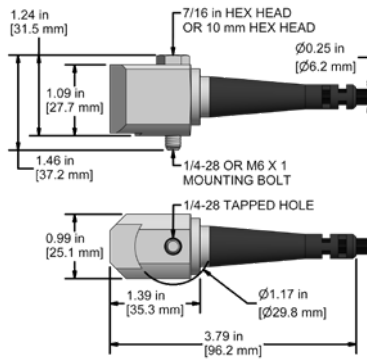
Connector Pin	Polarity
A	(+) Power
B	(-) Common
C	(+) Signal



STOCK PRODUCT

### AC324-2C Integral Cable

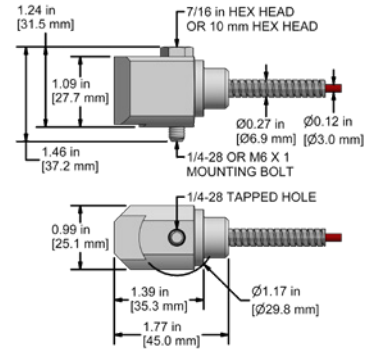
Conductor	Polarity
Red	(+) Power
Black	(-) Common
White	(+) Signal



BUILD TO ORDER

### AC324-3C Armored Integral Cable

Conductor	Polarity
Red	(+) Power
Black	(-) Common
White	(+) Signal

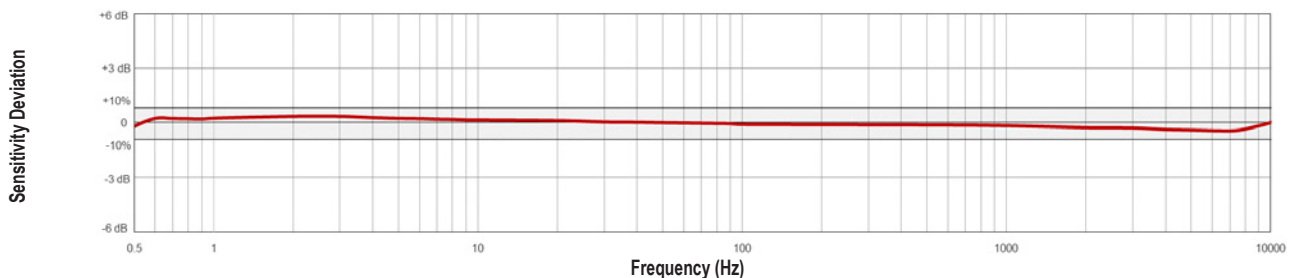


BUILD TO ORDER

Specifications	Standard	Metric
Part Number	AC324	M/AC324
<b>Vibration</b>		
Sensitivity (± 10 %)		25 mV/g
Frequency Response (± 3 dB)	30 CPM to 60 kCPM	0.5 Hz to 10 kHz
Frequency Response (± 10 %)	60 CPM to 480 kCPM	1 Hz to 8 kHz
Dynamic Range		± 50 g, peak
<b>Electrical</b>		
Settling Time		< 1 second
Power Supply Voltage	4 Vdc to 6 Vdc	
Spectral Noise @ 10 Hz		60 µg/√Hz
Spectral Noise @ 100 Hz		20 µg/√Hz
Spectral Noise @ 1 kHz		5 µg/√Hz
Output Impedance		< 100 ohm
Bias Output Voltage		2.5 V ± 10 %
Case Isolation		> 10 <sup>8</sup> ohm
Supply Current		< 20 µA

Specifications	Standard	Metric
<b>Environmental</b>		
Temperature Range	-58°F to 250°F	-50°C to 121°C
Maximum Shock Protection		5 kg, peak
Sealing		Welded, Hermetic (IP68)
<b>Physical</b>		
Sensing Element		PZT Ceramic
Sensing Structure		Shear Mode
Weight	5.1 ounces	145 grams
Case Material		316L Stainless Steel
Mounting		Captive Bolt
Connector (non-integral)		3 Pin MIL-C-5015
Resonant Frequency	1260 kCPM	21 kHz
Mounting Torque	2 ft-lb to 5 ft-lb	2.7 N-m to 6.8 N-m
Mounting Hardware	1/4-28 Captive Bolt	M6x1 Captive Bolt
Calibration Certificate		CA10

## TYPICAL FREQUENCY RESPONSE



UNCONDITIONAL LIFETIME WARRANTY

TOLL-FREE: 800.999.5290

www.CTOnline.com