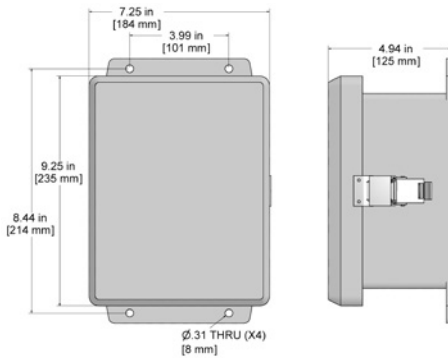


CR102/CR202

Fiberglass (CR102) or Stainless Steel (CR202) Cable Reduction Boxes 8, 12 and 16 Channels

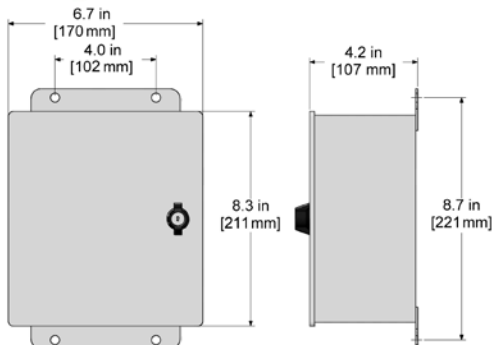
CR102

Fiberglass
Enclosure



CR202

Stainless Steel
Enclosure



Product Features

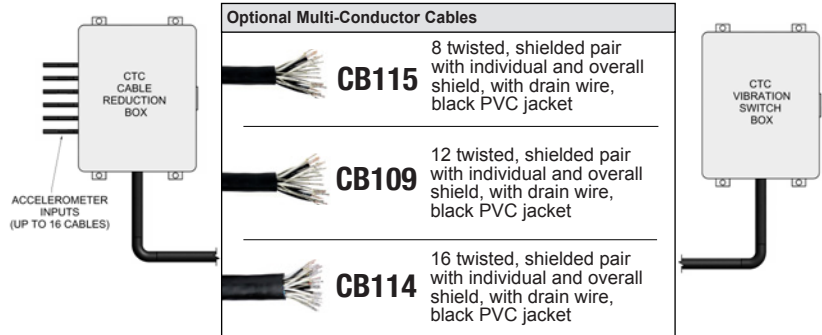
Helps Reduce Cable Clutter

CTC's Cable reduction boxes are ideal for consolidating cables. Not only does this help cut costs but will also provide an easily accessible and organized data collection point.

- Can accept up to 16 individual signal cables
- Reduce cable costs by as much as 75%
- Reduce up to 16 individual cables to one multi-conductor cable

Specifications

	CR102	CR202
Inputs	Terminal Block 3 Inputs per channel (+,-, Shield)	Terminal Block 3 Outputs per channel (+,-, Shield)
Switched Output	Terminal Block 3 Outputs per channel (+,-, Shield)	Terminal Block 3 Outputs per channel (+,-, Shield)
Rating	NEMA 4X (IP66)	
Door Closure	Snap Latch	Twist Lock
Material	Fiberglass	Stainless Steel
Temperature Rating	-58° to 180° F (-50° to 82° C)	
Resistance	Resistant to Hose Directed Fluid and Corrosion	



Ordering Information

CR	<input type="text"/>	-	<input type="text"/>	<input type="text"/>
Enclosure Type	102 = Fiberglass Enclosure 202 = Stainless Steel Enclosure			
Channels	8 = 8 Channels 12 = 12 Channels 16 = 16 Channels			
Input Options	A = *User Defined B = **Conduit Fitting C = Cord Grips S = †Stainless Steel Cord Grips			

Example Part Number: **CR102-12B**

Twelve channel cable reduction box, NEMA 4X fiberglass enclosure, with conduit fittings

* No punch outs are provided in the enclosure for cable entry. User may install any fitting required.

** For use with rigid body conduit.

† Stainless Steel enclosure only.

