



Actual Product Size Shown

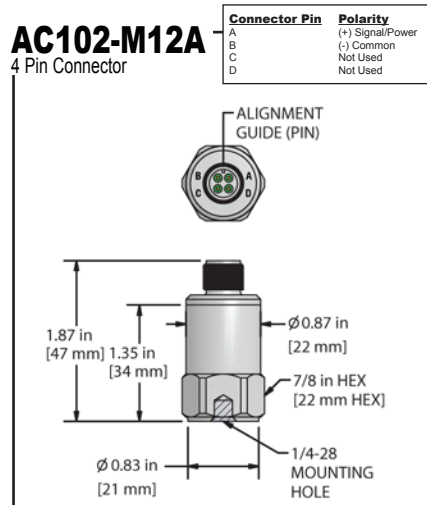


Product Features

**CTC's Most Popular Sensor
Now with an M12 Connector!
High Performance in a Low Cost Sensor**

- *Common M12 Connection*
- *Perfect for Thousands of Applications*
- *Affordably Priced, Hermetically Sealed Sensors*

AC102-M12A 4 Pin Connector



Specifications	Standard	Metric
Part Number	AC102-M12A	M/AC102-M12A
Sensitivity (±10%)	100 mV/g	
Frequency Response (±3dB)	30-900,000 CPM	0,5-15000 Hz
Frequency Response (±10%)	120-600,000 CPM	2,0-10000 Hz
Dynamic Range	± 50 g, peak	
Electrical		
Settling Time	<2.5 seconds	
Voltage Source (IEPE)	18-30 VDC	
Constant Current Excitation	2-10 mA	
Spectral Noise @ 10 Hz	14 µg/√Hz	
Spectral Noise @ 100 Hz	2.3 µg/√Hz	
Spectral Noise @ 1000 Hz	2 µg/√Hz	
Output Impedance	<100 ohm	
Bias Output Voltage	10-14 VDC	
Case Isolation	>10 ⁸ ohm	

Specifications	Standard	Metric
Environmental		
Temperature Range	-58 to 250°F	-50 to 121°C
Maximum Shock Protection	5,000 g, peak	
Electromagnetic Sensitivity	CE	
Sealing	IP68	
Physical		
Sensing Element	PZT Ceramic	
Sensing Structure	Shear Mode	
Weight	2.9 oz	82 grams
Case Material	316L Stainless Steel	
Mounting	1/4-28	
Connector (non-integral)	M12	
Resonant Frequency	1,380,000 CPM	23000 Hz
Mounting Torque	2 to 5 ft. lbs.	2,7 to 6,8 Nm
Mounting Hardware	1/4-28 Stud	M6x1 Adapter Stud
Calibration Certificate	CA10	

Ordering Information

Standard	AC102-M12A (1/4-28 Stud)
Metric	M/AC102-M12A (M6x1 Adapter Stud)



Backed by our Unconditional Lifetime Warranty