

# AC224 Series

High Frequency mini-MIL Accelerometer, Side Exit Connector/Cable, 10 mV/g

SECTION I - VIBRATION SENSORS  
Accelerometers

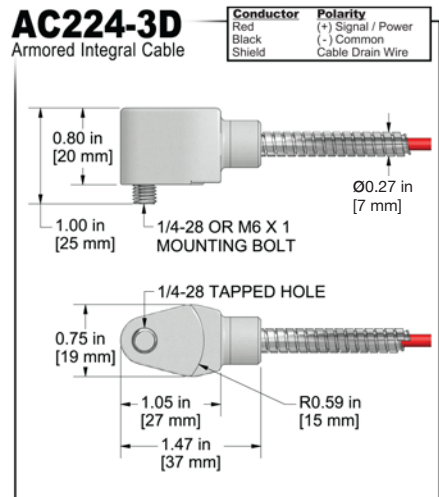
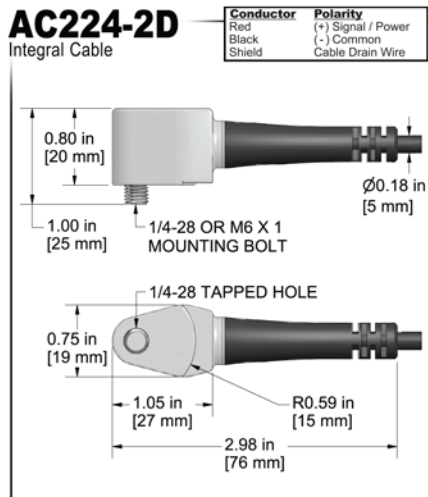
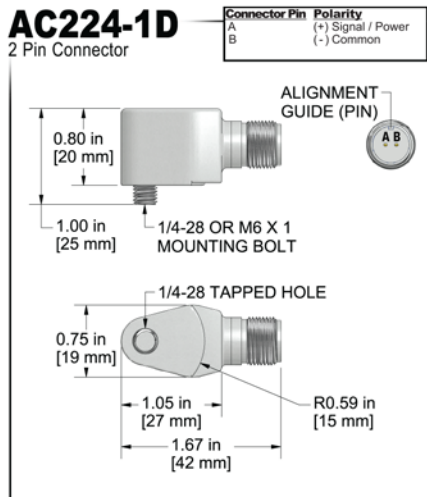
Actual Product Size Shown



## mini-MIL Must Use J2X Series Connectors Product Features

**Very High g Side Exit Accelerometer for High Frequency Applications**  
Helps to Detect Gearbox Defects and Other High Frequency Faults

- 1,0 - 15000 Hz (60-900,000 CPM) Frequency Response
- ±5% Sensitivity
- 32 kHz Resonant Frequency



Specifications	Standard	Metric
Part Number	AC224	M/AC224
Sensitivity (±5%)	10 mV/g	
Frequency Response (±3dB)	60-900,000 CPM	1,0-15000 Hz
Frequency Response (±10%)	90-420,000 CPM	1,5-7000 Hz
Frequency Response (±5%)	180-180,000 CPM	3,0-3000 Hz
Dynamic Range	± 500 g, peak	
<b>Electrical</b>		
Settling Time	<2.0 seconds	
Voltage Source (IEPE)	18-30 VDC	
Constant Current Excitation	2-10 mA	
Spectral Noise @ 10 Hz	100 µg/√Hz	
Spectral Noise @ 100 Hz	19 µg/√Hz	
Spectral Noise @ 1000 Hz	5 µg/√Hz	
Output Impedance	<100 ohm	
Bias Output Voltage	10-14 VDC	
Case Isolation	>10 <sup>9</sup> ohm	

Specifications	Standard	Metric
<b>Environmental</b>		
Temperature Range	-58 to 250°F	-50 to 121°C
Maximum Shock Protection	5,000 g, peak	
Electromagnetic Sensitivity	CE	
Sealing	IP68	
Submersible Depth (AC224-2D/3D)	200 ft.	60 m
<b>Physical</b>		
Sensing Element	PZT Ceramic	
Sensing Structure	Shear Mode	
Weight	2.1 oz	60 grams
Case Material	316L Stainless Steel	
Mounting	1/4-28	
Connector (non-integral)	2 Pin mini-MIL	
Resonant Frequency	1,920,000 CPM	32000 Hz
Mounting Torque	2 to 5 ft. lbs.	2,7 to 6,8 Nm
Mounting Hardware	1/4-28 Captive Bolt	M6x1 Captive Bolt
Calibration Certificate	CA10	

### Ordering Information

Standard	AC224-1D	AC224-2D - /	AC224-3D - /
	(1/4-28 Captive Bolt)	(1/4-28 Captive Bolt)	(1/4-28 Captive Bolt)
		(length in feet) (termination)	(maximum armor length 100 ft.) (cable length in feet) (termination)
Metric	M/AC224-1D	M/AC224-2D - /	M/AC224-3D - /
	(M6x1 Captive Bolt)	(M6x1 Captive Bolt)	(M6x1 Captive Bolt)
		(length in meters) (termination)	(maximum armor length 30 m) (cable length in meters) (termination)

Cable Termination Options: **E** **F** **L** **Z**

Backed by our Unconditional Lifetime Warranty

www.ctconline.com

