

Actual Product Size Shown



Product Features

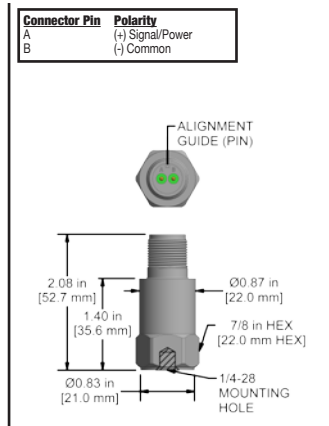
100 mV/in/sec, (4 mV/mm/sec) Sensitivity

1,5 - 12000 Hz (90 - 720,000 CPM) Frequency Response

- ± 50 in/sec, Peak Dynamic Range
- 2 Pin MIL Connection
- Integrates to Velocity in the Sensor

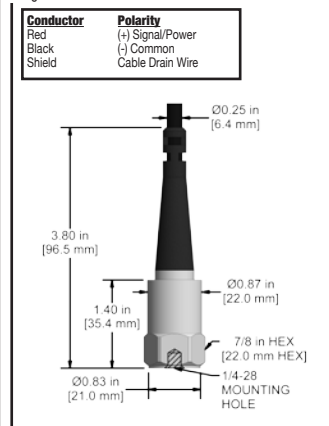
VE101-1D

2 Pin Connector



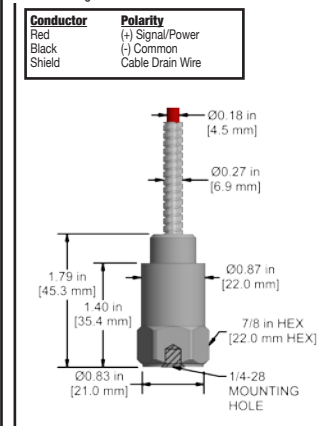
VE101-2D

Integral Cable



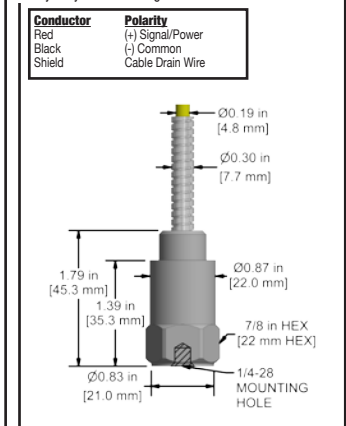
VE101-3D

Armored Integral Cable



VE101-6D

Heavy Duty Armored Integral Cable



Specifications	Standard	Metric
Part Number	VE101	M/VE101
Vibration		
Sensitivity ($\pm 10\%$)	100mV/in/sec	4mV/mm/sec
Transverse Sensitivity		<5%
Frequency Response ($\pm 3dB$)	90-720,000 CPM	1,5-12000 Hz
Frequency Response ($\pm 10\%$)	120-270,000 CPM	2,0-4500 Hz
Dynamic Range (Peak)	± 50 in/sec	± 1270 mm/sec
Electrical		
Settling Time		<4 Seconds
Voltage Source (IEPE)		18-30 VDC
Constant Current Excitation		2-10 mA
Spectral Noise @ 10 Hz		25 μ IPS/ \sqrt{Hz}
Spectral Noise @ 100 Hz		2 μ IPS/ \sqrt{Hz}
Spectral Noise @ 1000 Hz		0.5 μ IPS/ \sqrt{Hz}
Output Impedance		<100 ohm
Bias Output Voltage		10-14 VDC
Case Isolation		>10 ⁹ ohm

Specifications	Standard	Metric
Environmental		
Temperature Range	-58 to 250°F	-50 to 121°C
Maximum Shock Protection		5,000 g, peak
Electromagnetic Sensitivity		CE
Sealing		Welded, Hermetic; Rated to IP68/IP69
Submersible Depth (VE101-2D/3D/6D)	200 ft.	60 m
Physical		
Sensing Element		PZT Ceramic
Sensing Structure		Shear Mode
Weight	3.2 oz	90 grams
Case Material		316L Stainless Steel
Mounting Hole		1/4-28
Connector (non-integral)		2 Pin MIL-C-5015
Resonant Frequency	1,380,000 CPM	23000 Hz
Mounting Torque	2 to 5 ft. lbs.	2,7 to 6,8 Nm
Mounting Hardware	1/4-28 Stud	M6x1 Adapter Stud
Calibration Certificate		CA10

Ordering Information

Standard	VE101-1D (1/4-28 Stud)	VE101-2D / (1/4-28 Stud)	VE101-3D / (1/4-28 Stud)	VE101-6D / (1/4-28 Stud)
Metric	M/VE101-1D (M6x1 Adapter Stud)	M/VE101-2D / (M6x1 Adapter Stud)	M/VE101-3D / (M6x1 Adapter Stud)	M/VE101-6D / (M6x1 Adapter Stud)

Cable Terminations: E, EX F, FX L Z