

Actual Product Size Shown



### Product Features

**100 mV/in/sec, (4 mV/mm/sec) Sensitivity**

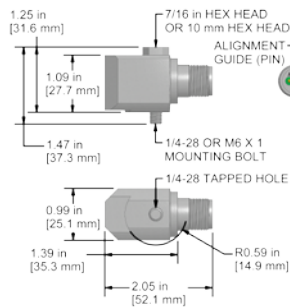
**1,5 - 7000 Hz (90 - 420,000 CPM) Frequency Response**

- $\pm 50$  in/sec, Peak Dynamic Range
- 2 Pin MIL Connection
- Integrates to Velocity in the Sensor

#### VE102-1D

2 Pin Connector

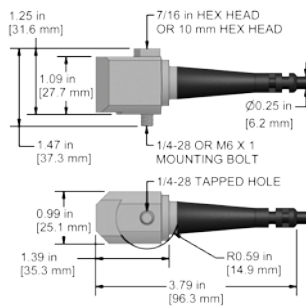
Connector Pin	Polarity
A	(+) Signal/Power
B	(-) Common



#### VE102-2D

Integral Cable

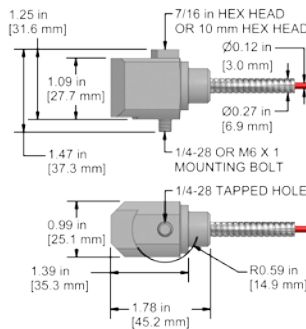
Conductor	Polarity
Red	(+) Signal/Power
Black	(-) Common
Shield	Cable Drain Wire



#### VE102-3D

Armored Integral Cable

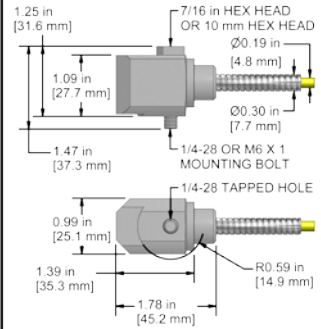
Conductor	Polarity
Red	(+) Signal/Power
Black	(-) Common
Shield	Cable Drain Wire



#### VE102-6D

Heavy Duty Armored Integral Cable

Conductor	Polarity
Red	(+) Signal/Power
Black	(-) Common
Shield	Cable Drain Wire



Specifications	Standard	Metric
Part Number	VE102	M/VE102
Sensitivity ( $\pm 10\%$ )	100mV/in/sec	4mV/mm/sec
Frequency Response ( $\pm 3dB$ )	90-420,000 CPM	1,5-7000 Hz
Frequency Response ( $\pm 10\%$ )	120-240,000 CPM	2,0-4000 Hz
Dynamic Range (Peak)	$\pm 50$ in/sec	$\pm 1270$ mm/sec
<b>Electrical</b>		
Setting Time	<4 seconds	
Voltage Source (IEPE)	18-30 VDC	
Constant Current Excitation	2-10 mA	
Spectral Noise @ 10 Hz	25 $\mu$ IPS/ $\sqrt{Hz}$	
Spectral Noise @ 100 Hz	2 $\mu$ IPS/ $\sqrt{Hz}$	
Spectral Noise @ 1000 Hz	0.5 $\mu$ IPS/ $\sqrt{Hz}$	
Output Impedance	<100 ohm	
Bias Output Voltage	10-14 VDC	
Case Isolation	>10 <sup>8</sup> ohm	

Specifications	Standard	Metric
<b>Environmental</b>		
Temperature Range	-58 to 250°F	-50 to 121°C
Maximum Shock Protection	5,000 g, peak	
Electromagnetic Sensitivity	CE	
Sealing	IP68	
Submersible Depth (VE102-2D/3D)	200 ft.	60 m
<b>Physical</b>		
Sensing Element	PZT Ceramic	
Sensing Structure	Shear Mode	
Weight	5.1 oz	145 grams
Case Material	316L Stainless Steel	
Mounting Hole	1/4-28	
Connector (non-integral)	2 Pin MIL-C-5015	
Resonant Frequency	1,320,000 CPM	22000 Hz
Mounting Torque	2 to 5 ft. lbs.	2.7 to 6.8 Nm
Mounting Hardware	1/4-28 Captive Bolt	M6x1 Captive Bolt
Calibration Certificate	CA10	

### Ordering Information

Standard	VE102-1D	VE102-2D - /	VE102-3D - /	VE102-6D - /
	(1/4-28 Captive Bolt)	(1/4-28 Captive Bolt)	(1/4-28 Captive Bolt)	(1/4-28 Captive Bolt)
		(length in feet) (termination)	(maximum armor length 100 ft.) (cable length in feet) (termination)	(maximum armor length 20 ft.) (cable length in feet) (termination)
Metric	M/VE102-1D (M6x1 Captive Bolt)	M/VE102-2D - / (M6x1 Captive Bolt)	M/VE102-3D - / (M6x1 Captive Bolt)	M/VE102-6D - / (M6x1 Captive Bolt)
		(length in meters) (termination)	(maximum armor length 30 m) (cable length in meters) (termination)	(maximum armor length 6 m) (cable length in meters) (termination)

