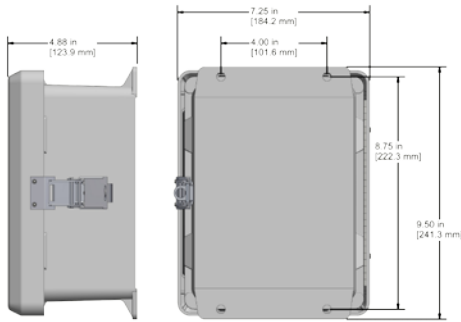
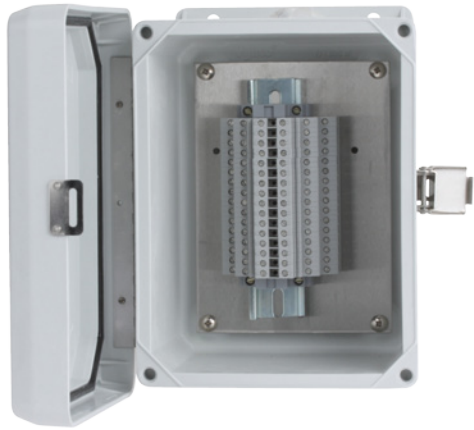


CRHT102/CRHT202

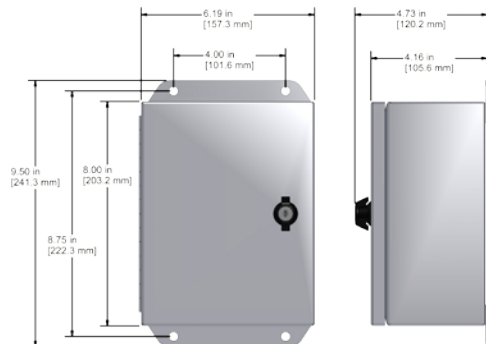
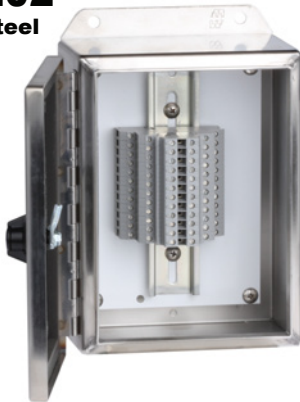
Fiberglass (CRHT102) or Stainless Steel (CRHT202) High Temperature Cable Reduction Boxes, 12 or 16 Channels

SECTION 3 - JUNCTION BOXES
Cable Reduction Boxes

CRHT102 Fiberglass Enclosure



CRHT202 Stainless Steel Enclosure



Product Features

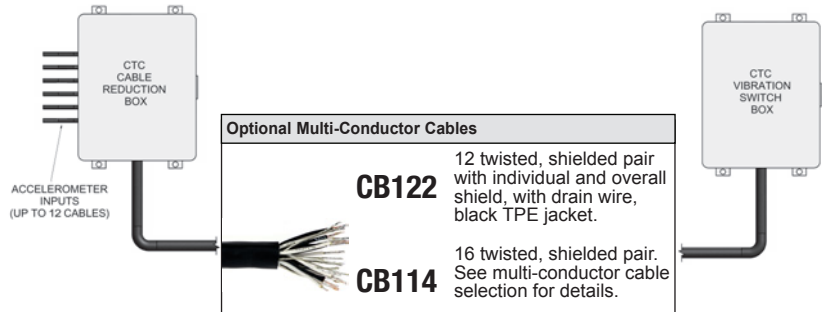
Reduce Cable Clutter in High Temperature Areas

CTC's Cable Reduction Boxes, ideal for consolidating cables, are now available for High Temperatures. Not only does this help cut costs but will also provide an easily accessible and organized data collection point.

- Can accept 12 or 16 individual signal cables
- Reduce cable costs by as much as 75%
- Reduce 12 or 16 individual cables to one multi-conductor cable

Specifications

	CRHT102	CRHT202
Inputs	Terminal Block	Terminal Block
	3 Inputs per channel (+, -, Shield)	3 Inputs per channel (+, -, Shield)
Switched Output	Terminal Block	Terminal Block
	3 Outputs per channel (+, -, Shield)	3 Outputs per channel (+, -, Shield)
Rating	NEMA 4X (IP66)	
Door Closure	Snap Latch	Twist Lock
Material	Fiberglass	Stainless Steel
Temperature Rating	-40° to 212° F (-40° to 100° C)	
Resistance	Resistant to Hose Directed Fluid and Corrosion	



Ordering Information

CRHT -

Enclosure Type
102 = Fiberglass Enclosure
202 = Stainless Steel Enclosure

Channels
12 = 12 Channels
16 = 16 Channels

Input Options

- A = *User Defined
- B = **Conduit Fitting
- C = Cord Grips
- S = †Stainless Steel Cord Grips

Example Part Number: CRHT102-12B

Twelve channel cable reduction box, NEMA 4X enclosure with conduit fitting input

* No punch outs are provided in the enclosure for cable entry. User may install any fitting required.

** For use with rigid body conduit.

† Stainless Steel enclosure only.

Backed by our Unconditional Lifetime Warranty

www.ctconline.com

