

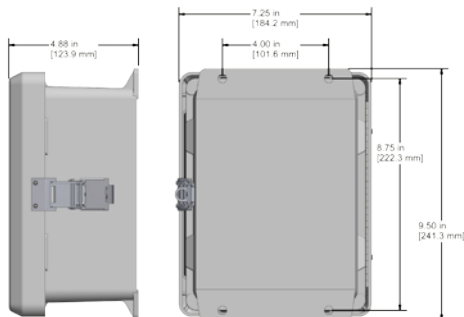
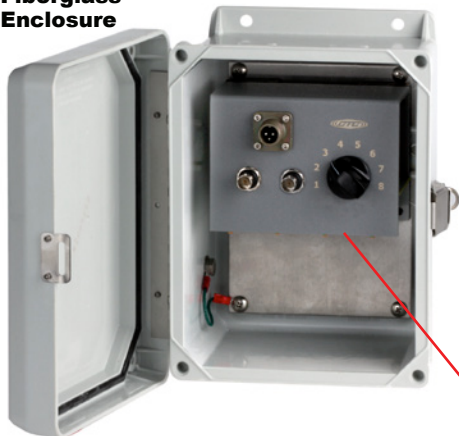
# DSB1000/DSB2000

Fiberglass (DSB1000) or Stainless Steel (DSB2000) Dual Output Switch Boxes, 4, 6, or 8 Channel Inputs

SECTION 3 - JUNCTION BOXES  
Switch Boxes

## DSB1000

Fiberglass Enclosure



## Product Features

**Enclosures With DIN Rail Mountable Modules for Multiple Dual Inputs and Switched Outputs**

DIN rail mountable modules give you multiple channels of data collection. The modules feature external BNC and 2 or 3 Pin connection options to suit your preferred data collector.

- Provides a switched output from remotely installed dual output sensors to a data collector through two BNCs, or a 3 Pin MIL spec connector
- Modular design provides flexible upgrade option
- Quick release input terminal blocks



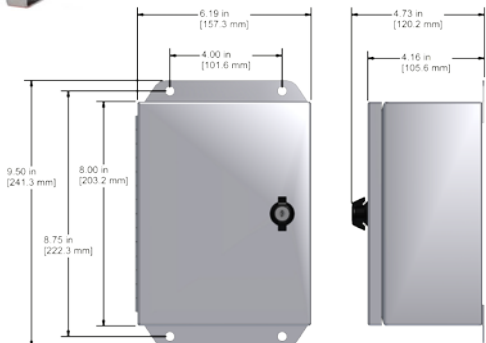
Steel DIN Rail Clip for Secure Attachment

## Specifications

	DSB1000	DSB2000
Inputs	Terminal block 4 inputs per channel (A, B, C, GND)	
Switched Output	2 BNC jacks & 3 Pin Connector (see options below)	
Continuous Output	Multi-pin connector for interface with online systems (optional) Requires JB931-3A	
Rating	NEMA 4X (IP66)	
Door Closure	Snap Latch	Twist Lock
Material	Fiberglass	Stainless Steel
Temperature Rating	-58° to 180° F (-50° to 82° C)	

## DSB2000

Stainless Steel Enclosure



## Ordering Information

DSB     -

**Enclosure Type**  
 1000 = Fiberglass Enclosure  
 1001 = Fiberglass Enclosure, with continuous output  
 2000 = Stainless Steel Enclosure  
 2001 = Stainless Steel Enclosure, with continuous output

**Channels**  
 4 = 4 Channels  
 6 = 6 Channels  
 8 = 8 Channels

**Input Options**  
 A = \*User Defined   
 B = \*\*Conduit Fitting   
 C = Cord Grips   
 S = †Stainless Steel Cord Grips

**Example Part Number: DSB1000-8C**

Fiberglass dual output switch box, 8 sensor capacity, cord grip entry

\* No punch outs are provided in the enclosure for cable entry. User may install any fitting required.

\*\* For use with rigid body conduit.

† Stainless Steel enclosure only.

### Optional Accessories:

- T-Plug output connector for online systems interface. Note: End user is responsible for providing enclosure exit when using this option.

Backed by our Unconditional Lifetime Warranty

[www.ctconline.com](http://www.ctconline.com)

