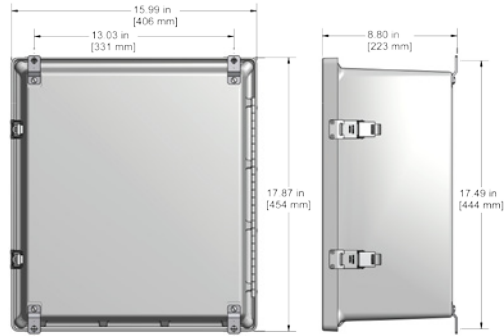


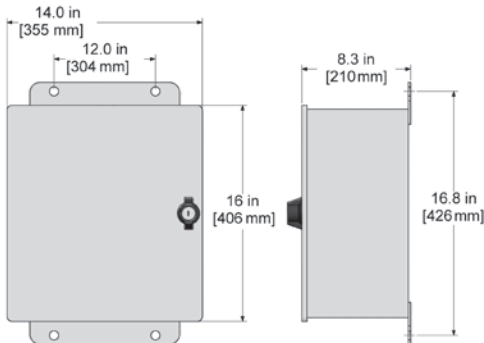
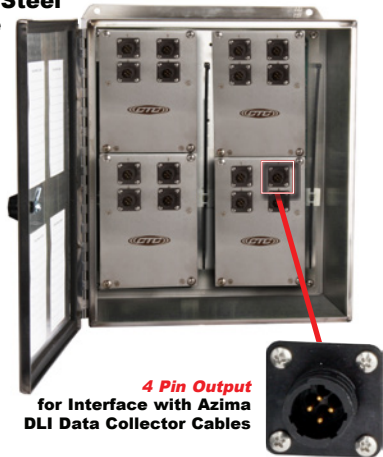
MX303/MX403

Fiberglass (MX303) or Stainless Steel (MX403) MAXX Boxes
24 - 48 Channels

MX303 Fiberglass Enclosure



MX403 Stainless Steel Enclosure



Product Features

Designed for Triaxial Data Collection

Provides 16 Triaxial connections for AZIMA DLI DCA/DCX Data Collection or up to 48 single axis sensor inputs. Enclosure can be mounted at most convenient locations.

- Connects remotely installed sensors to Azima DLI Data Collectors
- Quick-release input terminal block located behind hinged panel
- Wiring for 48 single axis sensors or 16 triaxial sensors

Specifications





	MX303	MX403
Inputs	Terminal Block 5 Inputs (+,+,+,-, Shield)	
Output	4 Pin Quick Lock Connector	
Rating	NEMA 4X (IP66)	
Door Closure	Snap Latch	Twist Lock
Material	Fiberglass	Stainless Steel
Temperature Rating	-58° to 180° F (-50° to 82° C)	
Resistance	Resistant to Hose Directed Fluid and Corrosion	

Ordering Information

MX -

Enclosure Type
303 = Fiberglass Enclosure
403 = Stainless Steel Enclosure

Channels
12 = 12 Channels (4 Triaxial Sensors)
24 = 24 Channels (8 Triaxial Sensors)
36 = 36 Channels (12 Triaxial Sensors)
48 = 48 Channels (16 Triaxial Sensors)

Input Options
A = *User Defined 
B = **Conduit Fitting 
C = Cord Grips 
S = †Stainless Steel Cord Grips 

Example Part Number: **MX403-24B**

Twenty four channel Azima DLI junction box, NEMA 4X stainless steel enclosure, with conduit fitting

* No punch outs are provided in the enclosure for cable entry. User may install any fitting required.

** For use with rigid body conduit.

† Stainless Steel enclosure only.

Backed by our Unconditional Lifetime Warranty

www.ctconline.com

