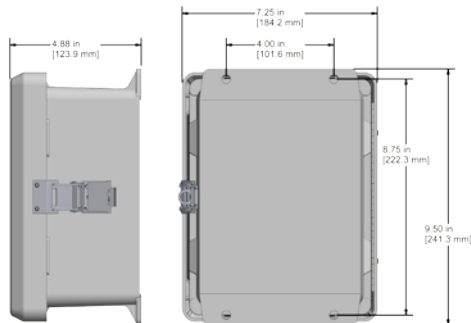
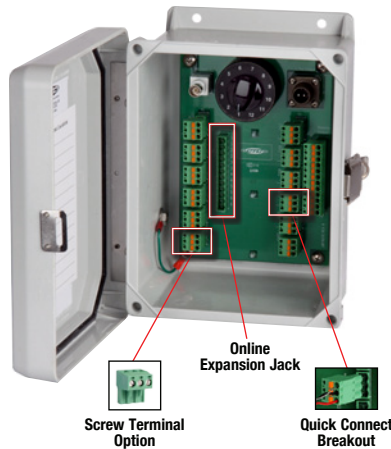


SB102/SB202

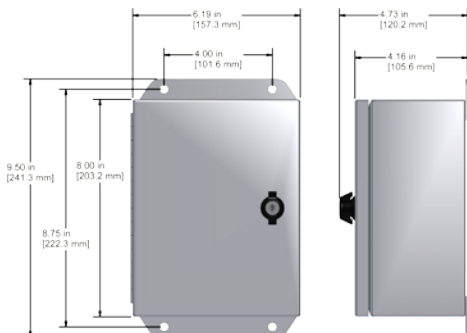
Fiberglass (SB102) or Stainless Steel (SB202) Switch Boxes 4, 6, 8, 10 and 12 Channels

SECTION 3 - JUNCTION BOXES
Switch Boxes

SB102 Fiberglass Enclosure



SB202 Stainless Steel Enclosure



Product Features

Provides a switched output to a BNC and 2 Pin connector
Can house up to 12 channel inputs for convenient access.
Enclosure can be easily mounted to many surfaces for increased accessibility.

- Provides a switched output from remotely installed sensors to a data collector through a BNC and a 2 Pin MIL spec connector
- Accepts Input from: Sensors
Proximity Probes
Temperature Probes
- Quick-release input terminal blocks

Specifications

| | SB102 | SB202 |
|--------------------|--|-----------------|
| Inputs | Terminal Block 3 Inputs per channel (+, -, Shield) | |
| Switched Output | BNC Jack and 2 Pin MIL | |
| Continuous Output | Multi-pin connector for interface with online systems (optional) Requires JB905-1A/2A | |
| Rating | NEMA 4X (IP66) | |
| Door Closure | Snap Latch | Twist Lock |
| Material | Fiberglass | Stainless Steel |
| Temperature Rating | -58° to 180° F (-50° to 82° C) | |
| Resistance | Resistant to Hose Directed Fluid and Corrosion | |

Ordering Information

SB -

Enclosure Type
102 = Fiberglass Enclosure
202 = Stainless Steel Enclosure

Channels
4 = 4 Channels
6 = 6 Channels
8 = 8 Channels
10 = 10 Channels
12 = 12 Channels

Input Options

- A = *User Defined Entry With Spring Cage Terminal Blocks
- B = **Conduit Fitting Cable Entry With Spring Cage Terminal Blocks
- C = Cord Grip Cable Entry With Spring Cage Terminal Blocks
- E = BNC Cable Connection With Spring Cage Terminal Blocks
- S = †Stainless Steel Cord Grip Entry With Spring Cage Terminal Blocks
- G = *User Defined Entry With Screw Terminal Blocks
- H = **Conduit Fitting Cable Entry With Screw Terminal Blocks
- I = Cord Grip Cable Entry With Screw Terminal Blocks
- J = BNC Cable Connection With Screw Terminal Blocks
- K = †Stainless Steel Cord Grip Entry With Screw Terminal Blocks

Example Part Number: SB102-4C
Four channel switch box, NEMA 4X enclosure, with cord grip inputs

* No punch outs are provided in the enclosure for cable entry. User may install any fitting required.

** For use with rigid body conduit.
† Stainless Steel enclosure only.

Optional Accessories:
• JB905-1A or 2A - Multi socket output connector for online systems interface.
Note: End user is responsible for providing enclosure exit when using this option.

Backed by our Unconditional Lifetime Warranty

www.ctconline.com

