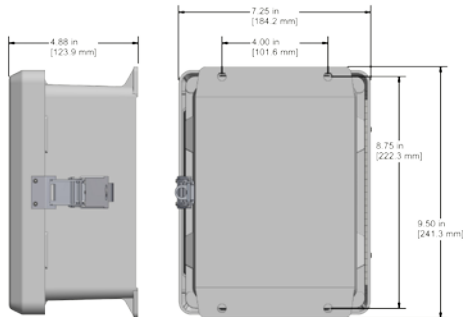
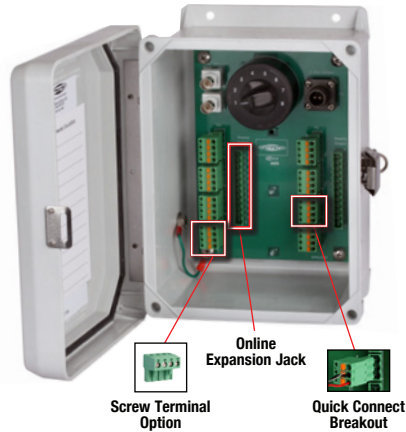


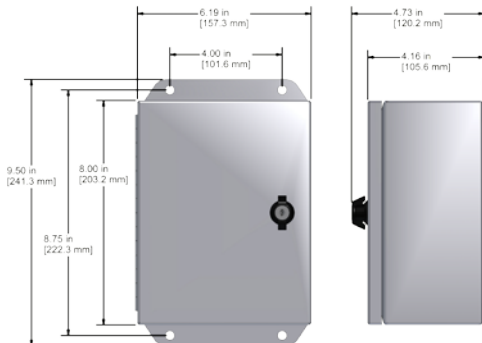
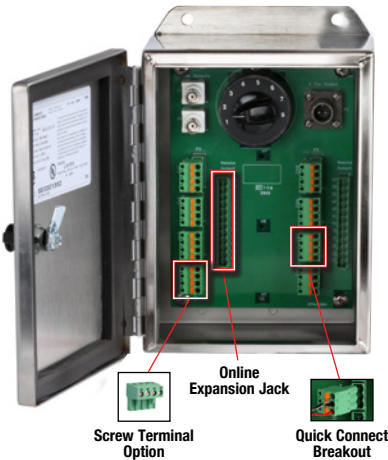
# SB142/SB242

## Fiberglass (SB142) or Stainless Steel (SB242) Switch Boxes, Dual Output 4, 6, and 8 Channels

### SB142 Fiberglass Enclosure



### SB242 Stainless Steel Enclosure



## Product Features

### Easily Switched Access for Dual Output Sensors

Temperature / Acceleration access for up to 8 Dual-Output sensors.

- Provides a switched output from remotely installed dual output sensors to a data collector through a 2 BNC, or 1 BNC and 2 Pin MIL spec connector
- Accepts Input from Dual Output Sensors
- Quick-release input terminal blocks

## Specifications

	SB142	SB242
Inputs	Terminal Block 4 Inputs per channel (A,B,C, GND)	
Switched Output	2 BNC Jacks and 2 Pin MIL (3 Pin MIL option upon request)	
Continuous Output	Multi-pin connector for interface with online systems (optional) Requires JB905-1A/2A	
Rating	NEMA 4X (IP66)	
Door Closure	Snap Latch	Twist Lock
Material	Fiberglass	Stainless Steel
Temperature Rating	-58° to 180° F (-50° to 82° C)	
Resistance	Resistant to Hose Directed Fluid and Corrosion	

## Ordering Information

SB  -

### Enclosure Type

142 = Fiberglass Enclosure

242 = Stainless Steel Enclosure

### Channels

4 = 4 Channels

6 = 6 Channels

8 = 8 Channels

### Input Options

A = \*User Defined Entry With Spring Cage Terminal Blocks

B = \*\*Conduit Fitting Cable Entry With Spring Cage Terminal Blocks

C = Cord Grip Cable Entry With Spring Cage Terminal Blocks

S = \*Stainless Steel Cord Grip Entry With Spring Cage Terminal Blocks

G = \*User Defined Entry With Screw Terminal Blocks

H = \*\*Conduit Fitting Cable Entry With Screw Terminal Blocks

I = Cord Grip Cable Entry With Screw Terminal Blocks

K = \*Stainless Steel Cord Grip Entry With Screw Terminal Blocks



### Example Part Number: SB142-4C

Four channel dual output switch box, NEMA 4X enclosure, with cord grip inputs

\* No punch outs are provided in the enclosure for cable entry. User may install any fitting required.

\*\* For use with rigid body conduit.

† Stainless Steel enclosure only.

### Optional Accessories:

- JB905-1A or 2A - Multi socket output connector for online systems interface. Note: End user is responsible for providing enclosure exit when using this option.

Backed by our Unconditional Lifetime Warranty

www.ctconline.com

