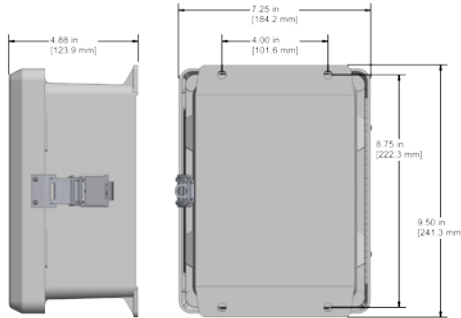
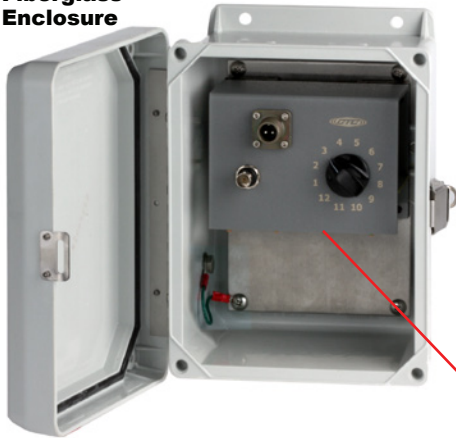


# SSB1000/SSB2000

Fiberglass (SSB1000) or Stainless Steel (SSB2000) Single Output Switch Boxes  
4, 6, 8, 10 or 12 Channel Inputs

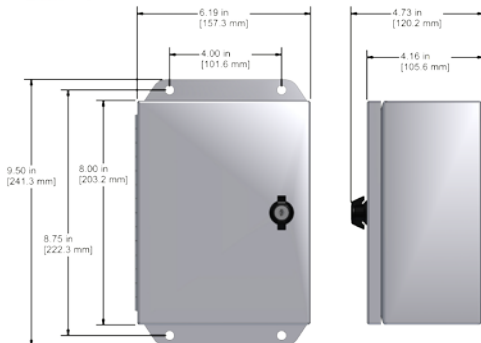
## SSB1000

Fiberglass Enclosure



## SSB2000

Stainless Steel Enclosure

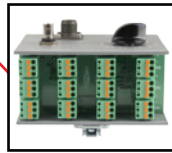


## Product Features

**Enclosures With DIN Rail Mountable Modules for Multiple Inputs and a Switched Output**

The modules feature BNC and 2 Pin connection options to suit your preferred data collector

- Provides a switched output from remotely installed sensors to a data collector through a BNC and a 2 Pin MIL spec connector
- Accepts input from: Sensors, Proximity probes  
Temperature probes
- Quick-release input terminal blocks



Steel DIN Rail  
Clip for Secure  
Attachment

## Specifications

	SSB1000	SSB2000
Inputs	Terminal block 3 inputs per channel (+, -, shield)	
Switched Output	BNC jack and 2 Pin MIL	
Continuous Output	Multi-pin connector for interface with online systems (optional) Requires JB907-3A	
Rating	NEMA 4X (IP66)	
Door Closure	Snap Latch	Twist Lock
Material	Fiberglass	Stainless Steel
Temperature Rating	-58° to 180° F (-50° to 82° C)	

## Ordering Information

SSB  -

### Enclosure Type

1000 = Fiberglass Enclosure  
1001 = Fiberglass Enclosure, with continuous output  
2000 = Stainless Steel Enclosure  
2001 = Stainless Steel Enclosure, with continuous output

### Channels

4 = 4 Channels  
6 = 6 Channels  
8 = 8 Channels  
10 = 10 Channels  
12 = 12 Channels

### Input Options

A = \*User Defined  
B = \*\*Conduit Fitting  
C = Cord Grips  
S = †Stainless Steel Cord Grips



**Example Part Number: SSB1000-12C**

Fiberglass single output switch box, 12 sensor capacity, cord grip entry

\* No punch outs are provided in the enclosure for cable entry. User may install any fitting required.

\*\* For use with rigid body conduit.

† Stainless Steel enclosure only.

### Optional Accessories:

- T-Plug output connector for online systems interface.  
Note: End user is responsible for providing enclosure exit when using this option.

Backed by our Unconditional Lifetime Warranty

[www.ctconline.com](http://www.ctconline.com)

