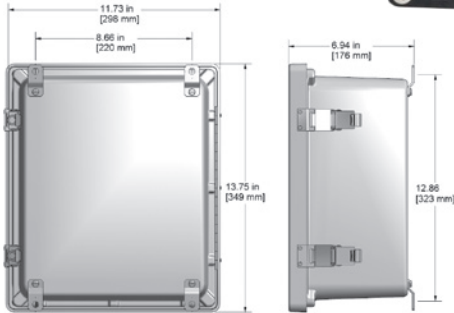


TSB3000 Series Fiberglass Enclosure



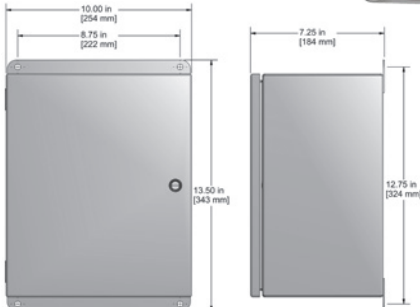
4 Pin Output
for Interface with Azima
DLI Data Collector Cables
(D4 option shown)



TSB4000 Series Stainless Steel Enclosure



4 Pin Output
for Interface with CTC-J4 Series
Data Collector Cables
(J4 option shown)



Product Features

Easily Switched Output for Triaxial Sensors

Access up to 12 Triaxial Sensors

Option for Continuous Monitoring Available

- Provides a switched output from remotely installed triaxial sensors to a data collector through 3 BNC jacks and 4 Pin connector (see options below)
- Accepts inputs from triaxial sensors
- Quick-release input terminal blocks

Specifications

	TSB3000	TSB4000
Inputs	5 Terminations per Triaxial Sensor (X, Y, Z, COM, GND)	
Switched Output	3 BNC jacks and 4 Pin connector (see options below)	
Continuous Output	Multi-pin connector for interface with online systems (optional) Requires JB933-1A	
Rating	NEMA 4X (IP66)	
Door Closure	Snap Latch	Twist Lock
Material	Fiberglass	Stainless Steel
Temperature Rating	-58° to 180° F (-50° to 82° C)	

Ordering Information

TSB - **12** - -

Enclosure Type
3000 = Fiberglass Enclosure
4000 = Stainless Steel Enclosure
3001 = Fiberglass Enclosure, with continuous output option
4001 = Stainless Steel Enclosure, with continuous output option

Channels
12 = 12 Triaxial Sensors

4 Pin Connector Compatibility
J4 = J4X Series connector compatible
G4 = G4X Series connector compatible
D4 = Azima DLI connector compatible
M4 = M4X Series connector compatible

Input Options
A = *User Defined
B = **Conduit Fitting
C = Cord Grips
S = †Stainless Steel Cord Grips

Output Options
A = None
B = Conduit Fitting

Example Part Number: **TSB3000-12-J4-CB**

Fiberglass triaxial switch box, 12 triaxial sensor capacity, triple BNC output or CTC J4X series connector compatible, cord grip entry and conduit fitting exit

* No punch outs are provided in the enclosure for cable entry. User may install any fitting required.

** For use with rigid body conduit.

† Stainless Steel enclosure only.

Optional Accessories:

- JB933-1A (12 Required) output connector for online systems interface or TSB3001 Series. Note: End user is responsible for providing enclosure exit when using this option.

