

LP401 Series

Dual Output Sensor, Loop Power 4-20 mA, Velocity, Dynamic Velocity, Top Exit Connector/Cable



Actual Product Size Shown

Product Features

Offers Continuous Protection Plus Dynamic Outputs for Diagnostics

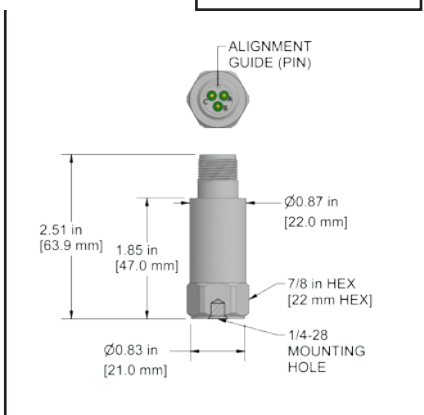
IEPE sensor power not required

- 4-20 mA Velocity and Dynamic Velocity Outputs
- Analytical Tool
- Outputs to PLC, DCS, SCADA



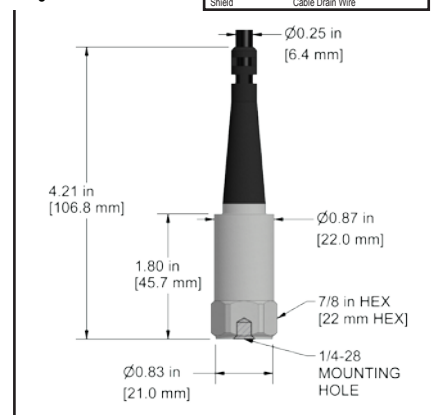
LP401-1B 3 Pin Connector

Connector Pin	Polarity
A	(+) Loop Power mA Output
B	(-) Common
C	(+) Dynamic Velocity Output



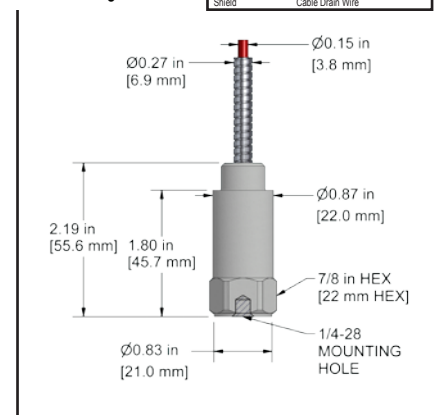
LP401-2C Integral Cable

Conductor	Polarity
Red	(+) Loop Power mA Output
Black	(-) Common
White	(+) Dynamic Velocity Output
Shield	Cable Drain Wire



LP401-3C Armored Integral Cable

Conductor	Polarity
Red	(+) Loop Power mA Output
Black	(-) Common
White	(+) Dynamic Velocity Output
Shield	Cable Drain Wire



Specifications	Standard	Metric
Output, 4-20 mA	See Selection Guide	
Measurement Range	See Selection Guide	
Tolerances		
4 mA	± 5%	
20 mA	± 10%	
Dynamic Output Velocity	IEPE sensor power not required	
Sensitivity ± 10%	100 mV/in/sec	4 mV/mm/sec
Frequency Response ± 3 dB	120-600,000 CPM	2,0-10000 Hz
Electrical		
Settling Time (Turn on Time) @ Room Temp (68°F/20°C)	<60 Seconds	
Power Requirement (Loop Powered) Voltage Source	12-28 VDC	
Electrical Case Isolation	>10 ⁹ ohm	
Environmental		
Temperature Range	-40 to 185°F	-40 to 85°C
Electromagnetic Sensitivity	CE	
Sealing	IP68	
Submersible Depth (LP401-2C/3C)	200 ft.	60 m

Specifications	Standard	Metric
Physical		
Sensing Element	PZT Ceramic	
Sensing Structure	Shear Mode	
Weight (without cable)	3.7 oz	105 grams
Case Material	316L Stainless Steel	
Mounting Hole	1/4-28	
Connector (LP401-1B)	3 Pin MIL-C-5015	
Integral Cable (LP401-2C)	Polyurethane Jacketed Cable	
Armored Cable (LP401-3C)	Armor Jacketed Cable	
Mechanical		
Mounting Torque	2 to 5 ft. lbs.	2,7 to 6,8 Nm
Supplied Accessories		
Mounting Hardware	1/4-28 Stud	M6x1 Adapter Stud
Calibration Certificate	CA10 (dynamic) Current Output @ 100 Hz	

All Products Are Built To Order

Ordering Information



Stud Type	Measurement Range	Range Type	Frequency Range +/- 3dB	Style	Armor Length (Integral)	Cable Length (Integral)
M = M6x1 (blank for 1/4-28)	0 = 0-0.5 IPS (0-12.7 mm/sec) 1 = 0-1 IPS (0-25.4 mm/sec) 2 = 0-2 IPS (0-50.8 mm/sec) 3 = 0-10 mm/sec (0-0.4 IPS) 4 = 0-20 mm/sec (0-0.8 IPS)	R = RMS P = Peak	1 = 600-60,000 CPM (10-1000 Hz) 2 = 180-150,000 CPM (3-2500 Hz)	1B = 3 Pin MIL C-5015 2C = Integral Cable 3C = Armor Jacket	010 = 10 ft. (3 m) 020 = 20 ft. (6 m) 030 = 30 ft. (9 m) 050 = 50 ft. (15 m) 100 = 100 ft. (30 m) <i>(Custom lengths available upon request)</i>	010 = 10 ft. (3 m) 020 = 20 ft. (6 m) 030 = 30 ft. (9 m) 050 = 50 ft. (15 m) 100 = 100 ft. (30 m) <i>(Custom lengths available upon request)</i>



Lifetime Warranty on Materials & Workmanship

SECTION 6 - PRO LINE
Loop Power Acceleration & Velocity Sensors