

LP812 Series

Low Capacitance, Intrinsically Safe Loop Power Sensor, Velocity,
4-20 mA, Top Exit Connector/Cable



Actual Product
Size Shown

Product Features

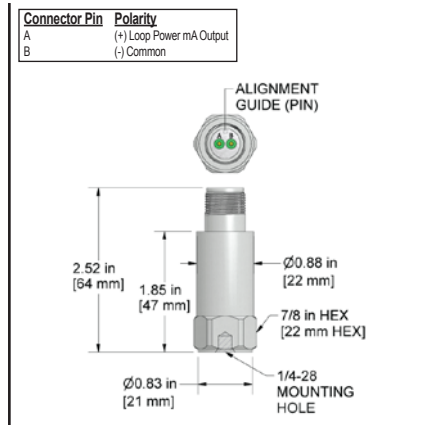
**Continuous Monitoring in
Hazardous Locations**

CSA and ATEX Approvals

- Works with Standard Cables
- Requires Energy Limiting Barriers such as IS111 or IS211 Series
- Enables Vibration Alarms for Process Control

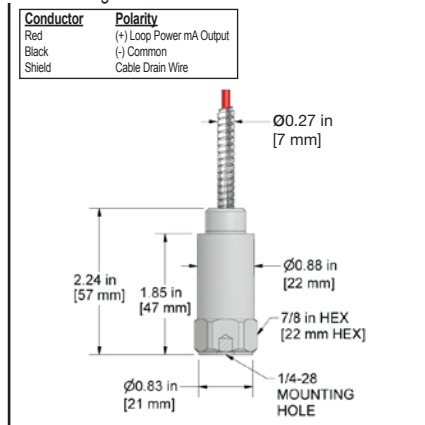
LP812-1B

2 Pin Connector



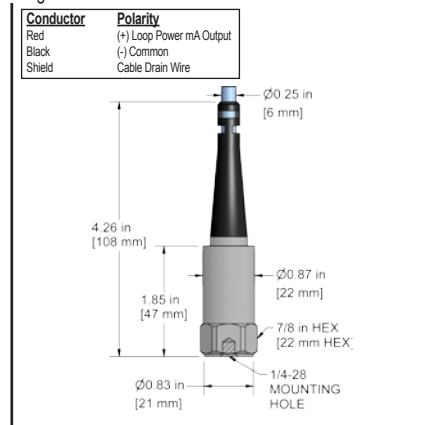
LP812-3C

Armored Integral Cable



LP812-9C

Integral Cable



Specifications	Standard	Metric
Output, 4-20 mA	See Selection Guide	
Measurement Range		
Tolerances		
4 mA	± 5%	
20 mA	± 10%	
Electrical		
Settling Time (Turn on Time) @ Room Temp (68°F/20°C)	<60 Seconds	
Power Requirement (Loop Powered) Voltage Source	12-28 VDC	
Electrical Case Isolation	>10 ⁹ ohm	
Environmental		
Temperature Range	-40 to 175°F	-40 to 80°C
Electromagnetic Sensitivity	CE	
Sealing	IP68	

Specifications	Standard	Metric
Physical		
Sensing Element	PZT Ceramic	
Sensing Structure	Shear Mode	
Weight (without cable)	3.7 oz	105 grams
Case Material	316L Stainless Steel	
Mounting Hole	1/4-28	
Connector (LP812-1B)	2 Pin MIL-C-5015	
Armored Cable (LP812-3C)	Armor Jacketed Cable	
Integral Cable (LP812-9C)	RAL 5015 Blue Polyurethane Cable	
Mechanical		
Mounting Torque	2 to 5 ft. lbs.	2,7 to 6,8 Nm
Supplied Accessories		
Mounting Hardware	1/4-28 Stud	M6x1 Adapter Stud
Calibration Certificate	Current Output @ 100 Hz	

Ordering Information



/LP812 - - / / -Z

Stud Type	Measurement Range	Range Type	Frequency Range +/- 3dB	Style	Armor Length (Integral)	Cable Length (Integral)
M = M6x1 (blank for 1/4-28)	0 = 0-0.5 IPS (0-12.7 mm/sec) 1 = 0-1 IPS (0-25.4 mm/sec) 2 = 0-2 IPS (0-50.8 mm/sec) 3 = 0-10 mm/sec (0-0.4 IPS) 4 = 0-20 mm/sec (0-0.8 IPS)	R = RMS P = Peak	1 = 600-60,000 CPM (10-1000 Hz) 2 = 180-150,000 CPM (3-2500 Hz)	1B = 2 Pin MIL C-5015 3C = Armor Jacket Integral Cable 9C = CB193 Integral Cable	010 = 10 ft. (3 m) 020 = 20 ft. (6 m) 030 = 30 ft. (9 m) 050 = 50 ft. (15 m) 100 = 100 ft. (30 m) <i>(Custom lengths available upon request)</i>	010 = 10 ft. (3 m) 020 = 20 ft. (6 m) 030 = 30 ft. (9 m) 050 = 50 ft. (15 m) 100 = 100 ft. (30 m) <i>(Custom lengths available upon request)</i>



Read Before Purchasing:
Important information on **Regulatory Approvals**
and **Requirements** on Page 356 & 357

Lifetime Warranty on Materials & Workmanship

www.ctonline.com



PROTECTION & RELIABILITY
OPTIMIZATION INSTRUMENTS
CONNECT TO CONFIDENCE