

LP822-5XC Series

Class I, Division 2/Zone 2 Loop Power Sensor, For Use In "Non-Arcing, Non-Sparking" Environments, Top Exit Flying Leads, Velocity, 4-20 mA Output

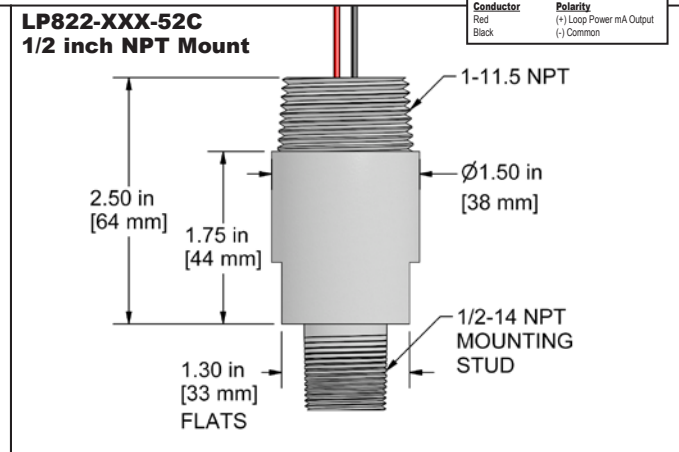
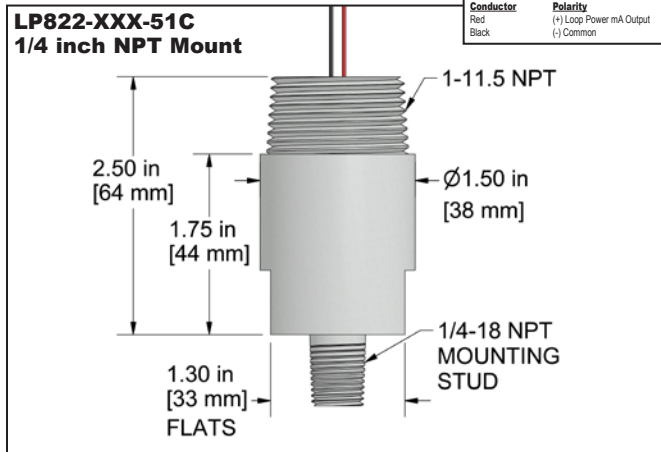


Product Features

Continuous Monitoring in Hazardous Locations

Velocity 4-20 mA Output for Applications in Hazardous Locations

- With 1 inch NPT fitting
- Non-Arcing, Non-Sparking Sensor for Class I, Division 2
- Enables Vibration Alarms for Process Control



Specifications	Standard	Metric
Output, 4-20 mA	See Selection Guide	
Measurement Range		
Tolerances		
4 mA	± 5%	
20 mA	± 10%	
Electrical		
Settling Time (Turn on Time) @ Room Temp (68°F/20°C)	<60 Seconds	
Power Requirement (Loop Powered) Voltage Source	12-28 VDC	
Electrical Case Isolation	>10 ⁸ ohm	
Environmental		
Temperature Range	-40 to 176°F	-40 to 80°C
Electromagnetic Sensitivity	CE	
Sealing	IP68	

Specifications	Standard	Metric
Physical		
Sensing Element	PZT Ceramic	
Sensing Structure	Shear Mode	
Weight	12 oz	340 grams
Case Material	316L Stainless Steel	
Mounting		
	1/4 NPT (LP822-51C)	1/2 NPT (LP822-52C)
Connector		
	Flying Leads	
Mechanical		
Mounting Torque	2 to 5 ft. lbs.	2,7 to 6,8 Nm
Supplied Accessories		
Calibration Certificate	Current Output @ 100 Hz	

Ordering Information

LP822 **1** - **5**

Measurement Range	Range Type	Frequency Range +/- 3dB	Style
0 = 0-0.5 IPS (0-12,7 mm/sec)	R = RMS	1 = 600-60,000 CPM (10-1000 Hz)	51C = 1 inch NPT with 24 inch flying leads with 1/4 inch NPT Mount
1 = 0-1 IPS (0-25,4 mm/sec)	P = Peak		
2 = 0-2 IPS (0-50,8 mm/sec)			
3 = 0-10 mm/sec (0-0,4 IPS)			
4 = 0-20 mm/sec (0-0,8 IPS)			
			52C = 1 inch NPT with 24 inch flying leads and 1/2 inch NPT Mount



Read Before Purchasing

Important information on **Regulatory Approvals and Requirements** on Page 331



Lifetime Warranty on Materials & Workmanship