

# LP922 Series

**Class I, Division 2/Zone 2 Loop Power Sensor, For Use In "Non-Arcing, Non-Sparking" Environments, Top Exit Connector/Cable, Acceleration, 4-20 mA Output**



**Must Use "Class I, Division 2" CB190 Cable and D2Q Connector or CB922 Series Cable Adapter**

## Product Features

**Continuous Monitoring in Hazardous Locations**

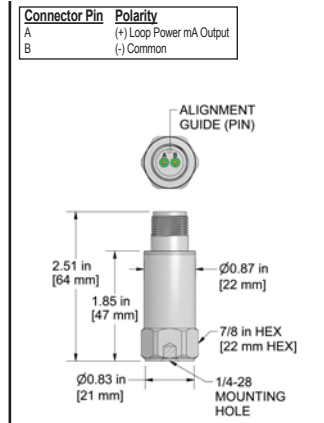
**Acceleration 4-20 Output for Applications in Hazardous Locations**

- Requires CB190 with D2Q or CB922 Series Connector (for non-integral cable versions)
- Non-Arcing, Non-Sparking Sensor for Class I, Division 2
- Protection for Hazardous Locations

Actual Product Size Shown

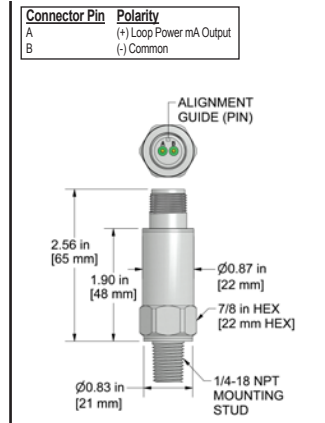
### LP922-1B

2 Pin Connector



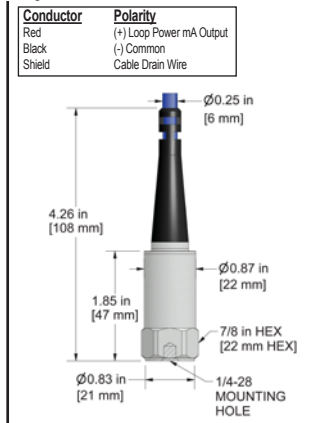
### P25/LP922-1B

2 Pin Connector



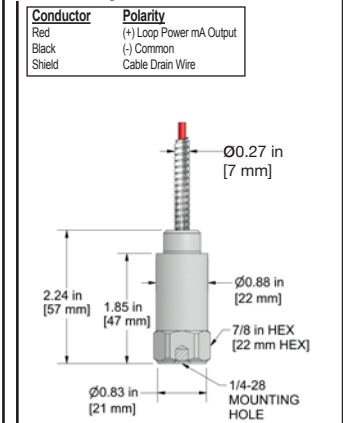
### LP922-2C

Integral Cable



### LP922-3C

Armored Integral Cable



Specifications	Standard	Metric
Output, 4-20 mA	See Selection Guide	
Measurement Range		
<b>Tolerances</b>		
4 mA	± 5%	
20 mA	± 10%	
<b>Electrical</b>		
Settling Time (Turn on Time) @ Room Temp (68°F/20°C)	<60 Seconds	
Power Requirement (Loop Powered) Voltage Source	12-28 VDC	
Electrical Case Isolation	>10 <sup>9</sup> ohm	
<b>Environmental</b>		
Temperature Range	-40 to 176°F	-40 to 80°C
Electromagnetic Sensitivity	CE	
Sealing	IP68	

Specifications	Standard	Metric
<b>Physical</b>		
Sensing Element	PZT Ceramic	
Sensing Structure	Shear Mode	
Weight (without cable)	3.7 oz	105 grams
Case Material	316L Stainless Steel	
Mounting Hole	1/4-28 1/4 NPT (P25/LP922-1B)	
Connector (LP922-1B)	2 Pin MIL-C-5015	
Integral Cable (LP922-2C)	Blue TPE Cable	
Armored Cable (LP922-3C)	Armor Jacketed Cable	
<b>Mechanical</b>		
Mounting Torque	2 to 5 ft. lbs.	2,7 to 6,8 Nm
<b>Supplied Accessories</b>		
Mounting Hardware	1/4-28 Stud	M6x1 Adapter Stud
Calibration Certificate	Current Output @ 100 Hz	

## Ordering Information



Stud Type	Measurement Range	Range Type	Frequency Range +/- 3dB	Style	Armor Length (Integral)	Cable Length (Integral)
M = M6x1	0 = 0-1 g	R = RMS	1 = 600-60,000 CPM (10-1000 Hz)	1B = 2 Pin MIL (C-5015)	010 = 10 ft. (3 m)	010 = 10 ft. (3 m)
P25 = 1/4 inch NPT	2 = 0-2 g	P = Peak	2 = 180-150,000 CPM (3-2500 Hz)	2C = Integral Cable	020 = 20 ft. (6 m)	020 = 20 ft. (6 m)
Blank = 1/4-28	5 = 0-5 g			3C = Armored Integral Cable	030 = 30 ft. (9 m)	030 = 30 ft. (9 m)
	10 = 0-10 g				050 = 50 ft. (15 m)	050 = 50 ft. (15 m)
	20 = 0-20 g				100 = 100 ft. (30 m)	100 = 100 ft. (30 m)
					(Custom lengths available upon request)	(Custom lengths available upon request)

**Read Before Purchasing:** Important information on Regulatory Approvals and Requirements on Page 331

**Lifetime Warranty on Materials & Workmanship**

www.ctonline.com



SECTION 6 - PRO LINE Hazardous Area Sensors & Accessories