

# LP952 Series

IEC Certified (IECEX), Loop Power Sensor, Acceleration, 4-20 mA, Top Exit Connector/Cable



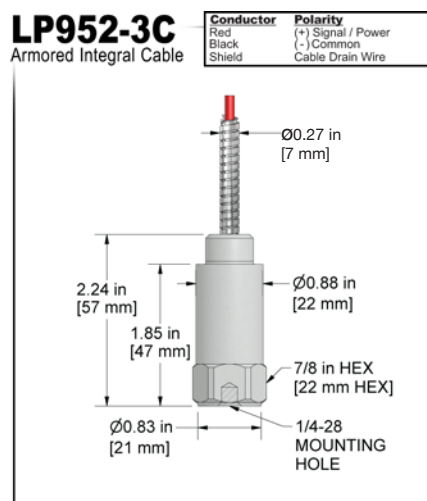
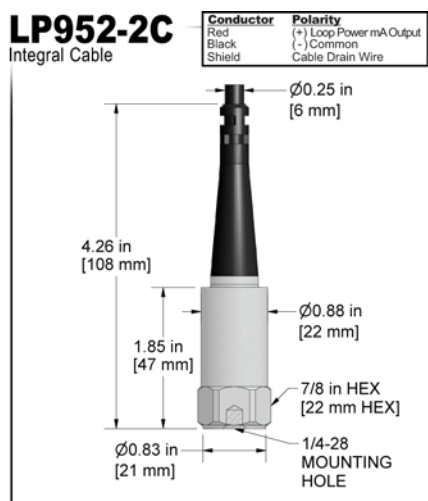
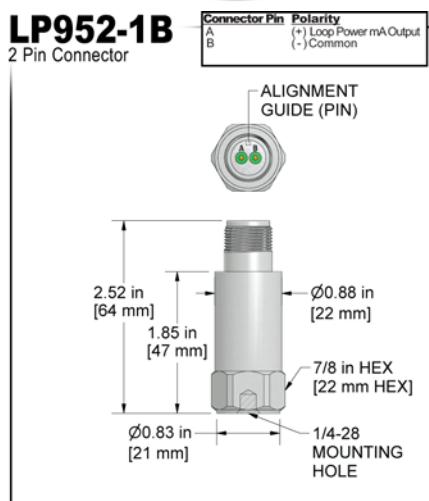
IECEX  
CE

Actual Product Size Shown

## Product Features

### Continuous Monitoring in Hazardous Locations

- Requires Energy Limiting Barriers such as IS111 or IS211 Series
- Works with Standard Cables
- IECEX Certification



Specifications	Standard	Metric
Output, 4-20 mA	See Selection Guide	
Measurement Range		
<b>Tolerances</b>		
4 mA	(± 5%)	
20 mA	(± 10%)	
<b>Electrical</b>		
Settling Time (Turn on Time) @ Room Temp (68°F/20°C)	<60 Seconds	
Power Requirement (Loop Powered) Voltage Source	12-28 VDC	
Electrical Case Isolation	>10 <sup>8</sup> ohm	
<b>Environmental</b>		
Temperature Range	-40 to 176°F	-40 to 80°C
Electromagnetic Sensitivity	CE	
Sealing	IP68	

Specifications	Standard	Metric
<b>Physical</b>		
Sensing Element	PZT Ceramic	
Sensing Structure	Shear Mode	
Weight (without cable)	3.7 oz	105 grams
Case Material	316L Stainless Steel	
Mounting Hole	1/4-28	
Connector (LP952-1B)	2 Pin MIL-C-5015	
Integral Cable (LP952-2C)	Polyurethane Jacketed Cable	
Armored Cable (LP952-3C)	Armor Jacketed Cable	
<b>Mechanical</b>		
Mounting Torque	2 to 5 ft. lbs.	2,7 to 6,8 Nm
<b>Supplied Accessories</b>		
Mounting Hardware	1/4-28 Stud	M6x1 Adapter Stud
Calibration Certificate	Current Output @ 100 Hz	

## Ordering Information

All Products Are Built To Order

/LP952 - / - / -Z

Stud Type	Measurement Range	Range Type	Frequency Range +/- 3dB	Style	Armor Length (Integral)	Cable Length (Integral)
M = M6x1 (blank for 1/4-28)	0 = 0-1 g 2 = 0-2 g 5 = 0-5 g 10 = 0-10 g 20 = 0-20 g	R = RMS P = Peak	1 = 600-60,000 CPM (10-1000 Hz) 2 = 180-150,000 CPM (3-2500 Hz)	1B = 2 Pin MIL C-5015 2C = Integral Cable 3C = Armor Jacket	010 = 10 ft. (3 m) 020 = 20 ft. (6 m) 030 = 30 ft. (9 m) 050 = 50 ft. (15 m) 100 = 100 ft. (30 m) <i>(Custom lengths available upon request)</i>	010 = 10 ft. (3 m) 020 = 20 ft. (6 m) 030 = 30 ft. (9 m) 050 = 50 ft. (15 m) 100 = 100 ft. (30 m) <i>(Custom lengths available upon request)</i>



**Read Before Purchasing:**  
Important information on Regulatory Approvals and Requirements on Page 343

Lifetime Warranty on Materials & Workmanship

www.ctconline.com

