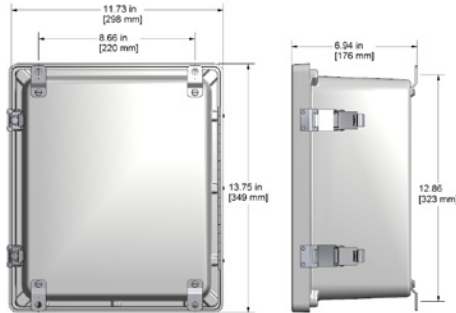


PXE150T Series

Proximity Probe Driver Enclosures, 1-6 Channel, With Terminal Blocks

PXE150T-06-AA (as shown) Fiberglass Enclosure



1-6 Driver Enclosure Drawing

Product Features

Accommodates up to 6 Proximity Probe Drivers
 Enclosure protects components from dirt, dust, oil and water.

- Accepts inputs from proximity probes
- For use with DD100180, DD100980, DX330180 & DX330980 Series Proximity Probe Drivers
- Accommodates up to 6 Terminal Blocks
- **Probes, Cable, and Drivers Sold and Specified Separately**

Specifications

Sensors Inputs	Proximity Probe: 1 Input
Output	BNC Jack for Dynamic Signal and Terminal Blocks
Rating	NEMA 4X (IP66)
Door Closure	Snap Latches
Material	Fiberglass
Operating Temperature Range	15° to 140°F (-10° to 60°C)
Resistance	Resistant to Hose Directed Fluid and Corrosion

Ordering Information

PXE150T - - - -

# of Channels	Enclosure Entry	Enclosure Exit
01 = 1 channel	A = None	A = None
02 = 2 channels	B** = 1" Conduit Fitting	B** = Conduit Fitting
03 = 3 channels		
04 = 4 channels	C = Cord Grips	
05 = 5 channels		
06 = 6 channels		

All Products Are Built To Order

**Rigid Body Conduit

Probes, Cable, and Drivers Sold and Specified Separately

Example Part Number: PXE150T-06-AA
 6 channels, no enclosure entry, no enclosure exit

SECTION 6 - PRO LINE
Signal Conditioners & Enclosures

Lifetime Warranty on Materials & Workmanship

www.ctconline.com



PROTECTION & RELIABILITY INSTRUMENTS