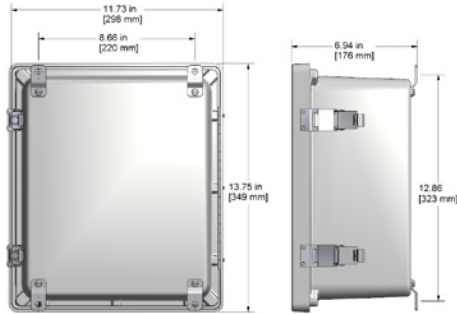
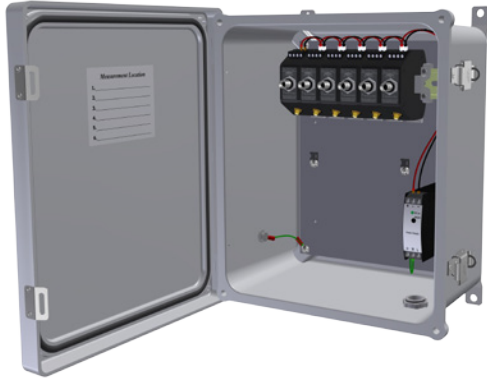


PXE150 & PXE150P Series

Proximity Probe Driver Enclosures, 1-6 Channel

PXE150P-06-AA (as shown) Fiberglass Enclosure



1-6 Driver Enclosure Drawing

Product Features

Accommodates up to 6 Proximity Probe Drivers
 Enclosure protects components from dirt, dust, oil and water.

- Accepts inputs from proximity probes
- For use with DD100180, DD100980, DX330180 & DX330980 Series Proximity Probe Drivers
- Optional DC Power Supply, switchable 110/220 VAC to 100/240 VAC to 24VDC power supply
- **Probes, Cable, and Drivers Sold and Specified Separately**

Specifications

Sensors Inputs	Proximity Probe: 1 Input
Output	BNC Jack for Dynamic Signal and Terminal Blocks
Power	100-240 VAC
Rating	NEMA 4X (IP66)
Door Closure	Snap Latches
Material	Fiberglass
Operating temperature range	15° to 140°F (-10° to 60°C)
Resistance	Resistant to Hose Directed Fluid and Corrosion

Ordering Information

PXE150 - -

Temperature	# of Channels	Enclosure Entry	Enclosure Exit
P = Power Supply Blank = No Power Supply	01 = 1 channel 02 = 2 channels 03 = 3 channels 04 = 4 channels 05 = 5 channels 06 = 6 channels	A = None B = 1" Conduit Fitting & 1/2" conduit fitting for power C = Cord Grips & 1/2" conduit fitting for power	A = None B = Conduit Fitting



Probes, Cable, and Drivers Sold and Specified Separately
Note: 1/2" Conduit Fitting for Power Supply (PXE150P Series)

Example Part Number: PXE150P-06-AA
 Power supply, 6 channels, no enclosure entry, no enclosure exit



Lifetime Warranty on Materials & Workmanship