

Low Voltage Accelerometer, Side Exit Connector/Cable, 100 mV/g

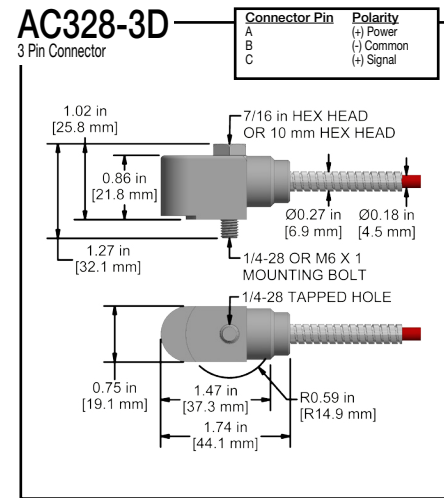
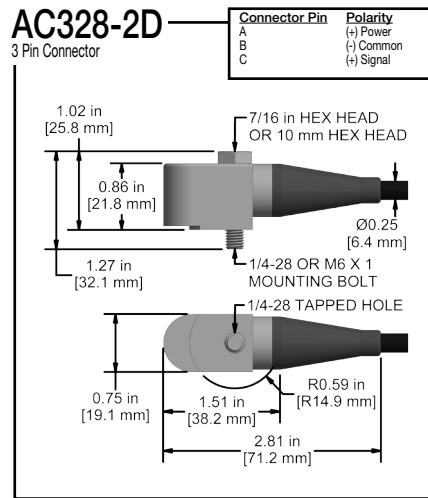
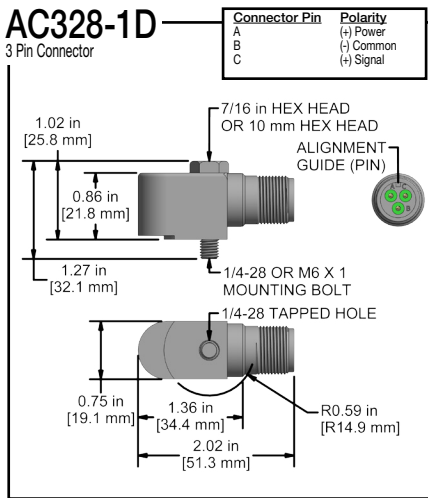
SECTION 1 - VIBRATION SENSORS
Accelerometers - 100 mV/g

Product Features

**Ultra Low Power Sensor
For Battery Powered Wireless
Transmission Systems**

- 3 Pin MIL Connector
- Supply Voltage 4-6 Volts
- Compatible with Many Wireless Transmission Systems

Actual Product Size Shown



Specifications	Standard	Metric
Part Number	AC328	M/AC328
Vibration		
Sensitivity (±10%)	100 mV/g	
Frequency Response (±3dB)	30-600,000 CPM	0.5-10000 Hz
Frequency Response (±10%)	60-480,000 CPM	1.0-8000 Hz
Dynamic Range	± 15 g, peak	
Electrical		
Settling Time	<1.0 second	
Power Supply Voltage	4-6 VDC (10%)	
Spectral Noise @ 10 Hz	60 µg/√Hz	
Spectral Noise @ 100 Hz	20 µg/√Hz	
Spectral Noise @ 1000 Hz	5 µg/√Hz	
Output Impedance	<100 ohm	
Bias Output Voltage	2.5 V ± 10%	
Case Isolation	>10 ⁸ ohm	
Supply Current	< 20 µA	

Specifications	Standard	Metric
Environmental		
Temperature Range	-58 to 250°F	-50 to 121°C
Maximum Shock Protection	5,000 g, peak	
Sealing	Welded, Hermetic	
Physical		
Sensing Element	PZT Ceramic	
Sensing Structure	Shear Mode	
Weight	3.3 oz	93 grams
Case Material	316L Stainless Steel	
Mounting	1/4-28	
Connector (non-integral)	3 Pin MIL-C-5015	
Resonant Frequency	1,200,000 CPM	23000 Hz
Mounting Torque	2 to 5 ft. lbs.	2.7 to 6.8 Nm
Mounting Hardware	1/4-28 Captive Bolt	M6x1 Captive Bolt
Calibration Certificate	CA10	

Ordering Information

Standard	AC328-1D (1/4-28 Captive Bolt) Stock	AC328-2D / (1/4-28 Captive Bolt) Build To Order (maximum cable length 10 ft.) (termination)	AC328-3D / (1/4-28 Captive Bolt) Build To Order (maximum armor length 10 ft.) (maximum cable length 10 ft.) (termination)
Metric	M/AC328-1D (M6x1 Captive Bolt) Stock	M/AC328-2D / (M6x1 Captive Bolt) Build To Order (maximum cable length 3 m) (termination)	M/AC328-3D / (M6x1 Captive Bolt) Build To Order (maximum armor length 3 m) (maximum cable length 3 m) (termination)

Cable



VIBRATION ANALYSIS HARDWARE

Backed by our Unconditional Lifetime Warranty