

# LP232 Series

Loop Power Sensor, Velocity, 4-20 mA Output, With 10 mV/°C Temperature Output, Top Exit Connector/Cable



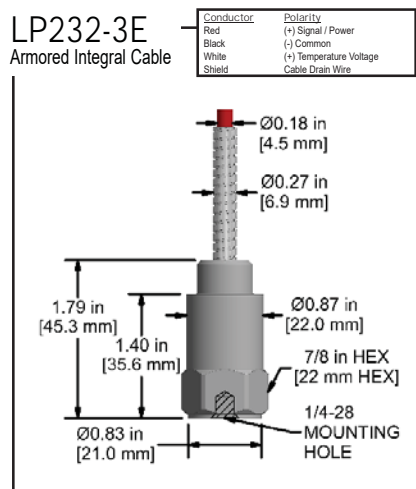
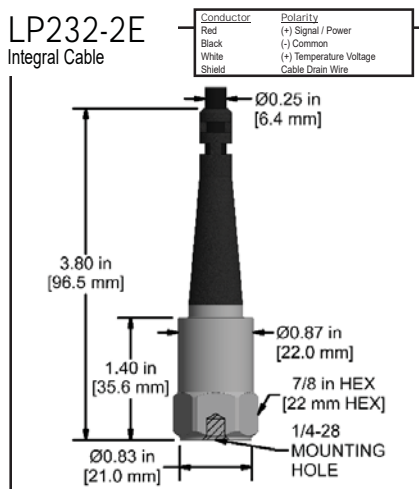
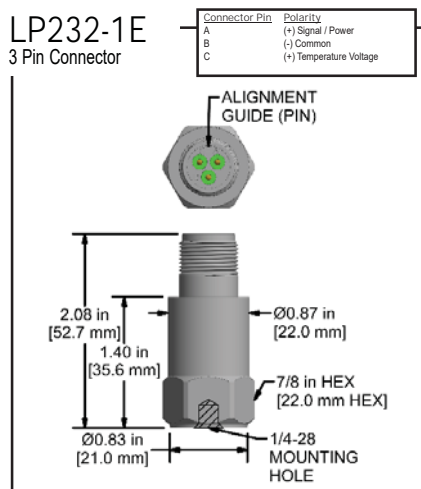
## Product Features

Continuously Monitor & Protect Important Machinery with 4-20 and Temperature Outputs

- 4-20 mA Current Proportional to Vibration
- Transmit Signals Over Long Distances with No Signal Loss
- Customize Your Settings to Focus on the Most Important Frequencies



Actual Product Size Shown



Specifications	Standard	Metric
Output, 4-20 mA	See Selection Guide	
Temperature Output	10 mV/°C	
Temperature Range	-40 to 212°F	-40 to 100°C
<b>Tolerances</b>		
4 mA	(± 5%)	
20 mA	(± 10%)	
Temperature	(± 5°C)	
<b>Electrical</b>		
Settling Time (Turn on Time) @ Room Temp (68° F/20° C)	<30 Seconds	
Power Requirement (Loop Powered) Voltage Source	15-30 VDC	
Electrical Case Isolation	>10 <sup>8</sup> ohm	
<b>Environmental</b>		
Electromagnetic Sensitivity	CE	

Specifications	Standard	Metric
Sealing	IP68	
Submersible Depth (LP232-2B/3D)	200 ft.	60 m
<b>Physical</b>		
Sensing Element	PZT Ceramic	
Sensing Structure	Shear Mode	
Weight (without cable)	3.0 oz	86 grams
Case Material	316L Stainless Steel	
Mounting Hole	1/4-28	
Connector (LP232-1E)	3 Pin MIL-C-5015	
Integral Cable (LP232-2E)	Polyurethane Jacketed Cable	
Armored Cable (LP232-3E)	Armor Jacketed Cable	
<b>Mechanical</b>		
Mounting Torque	2 to 5 ft. lbs.	2,7 to 6,8 Nm
<b>Supplied Accessories</b>		
Mounting Hardware	1/4-28 Stud	M6x1 Adapter Stud
Calibration Certificate	Current Output @ 100 Hz	

## Ordering Information



Stud Type	Measurement Range	Range Type	Frequency Range +/- 3dB	Style	Cable/Armor Lengths
M = M6x1  (blank for 1/4-28)	0 = 0-0.5 IPS (0-12,7 mm/sec) 1 = 0-1 IPS (0-25,4 mm/sec) 2 = 0-2 IPS (0-50,8 mm/sec) 3 = 0-10 mm/sec (0-0,4 IPS) 4 = 0-20 mm/sec (0-0,8 IPS) 6 = 0-5 IPS (0-127 mm/sec)	R = RMS P = Peak	1 = 600-60,000 CPM (10-10000 Hz) 2 = 180-150,000 CPM (3-2500 Hz) 3 = 180-60,000 CPM (3-1000 Hz) 4 = 180-300,000 CPM (3-5000 Hz) 5 = 180-600,000 CPM (3-10000 Hz)	1E = 3 Pin MIL C-5015 2E = Integral Cable 3E = Armor Jacket	Component Cables Ordered Separately / [ ] - Z Cable Length (in Feet) / [ ] / [ ] - Z Maximum Armor Length 100 ft. (30 m) Cable Length (in Feet)

Lifetime Warranty on Materials & Workmanship

