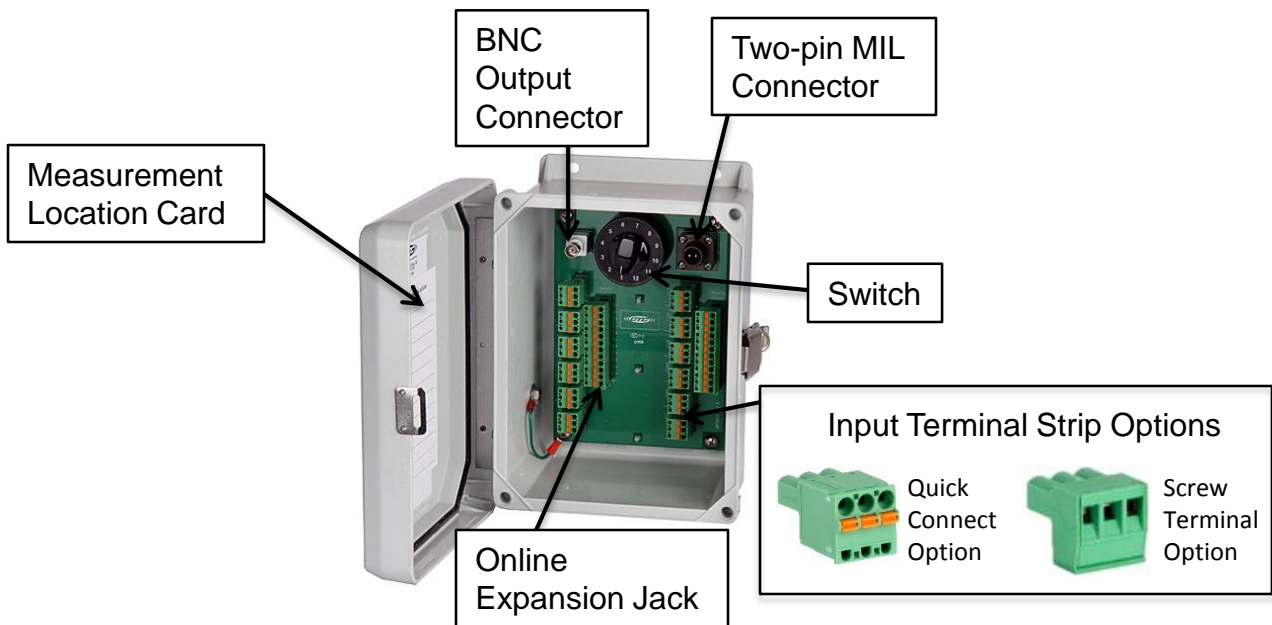




VIBRATION ANALYSIS HARDWARE

SB102 Series Switch Boxes

The SB102 fiberglass switch box is used to convert the two-conductor input wiring of up to 12 remotely installed sensors, proximity probes and/or temperature probes to a switched BNC and a switched two-pin MIL spec connector for data collection. Input wiring from each sensor is connected to the outputs via quick-connect or screw terminal blocks. Each terminal block includes input for positive, negative and shield. The shield drain wire is earth grounded via a ground stud that is mounted to the side of the fiberglass enclosure. Additionally, the SB102 can be equipped with a multi-pin connector for interface with online systems for continuous live readings. This connection requires a JB905-1A/2A plug.



A centrally located switch on the enclosure's panel board determines which sensor provides output to the BNC and two-pin MIL connector. A measurement location card is located on the inside of the enclosure door to identify each channel.

Rated for NEMA 4X (IP66), the SB102 can withstand harsh environments including temperatures ranging from -58° to 180° F (-50° to 82° C). The box is also resistant to hose directed fluid and corrosion. A snap latch is installed on the door allowing the box to be sealed from the elements when not in use.



VIBRATION ANALYSIS HARDWARE

SB102 Series Switch Boxes, cont.

Cable input options for the SB102 include:



- A. User Defined Cable Entry with Quick Connect Input Terminal Blocks
- G. User Defined Cable Entry with Screw Input Terminal Blocks



- B. Conduit Fitting Cable Entry with Quick Connect Input Terminal Blocks
- H. Conduit Fitting Cable Entry with Screw Input Terminal Blocks



- C. Nylon Cord Grip Cable Entry with Quick Connect Input Terminal Blocks
- I. Nylon Cord Grip Cable Entry with Screw Input Terminal Blocks



- E. BNC Inputs Prewired to Quick Connect Input Terminal Blocks
- J. BNC Inputs Prewired to Screw Input Terminal Blocks