

# CR102 SERIES PRODUCT DESCRIPTION

The **CR102** fiberglass cable reduction box can reduce the individual cables of up to 16 accelerometers into one multi-conductor cable. Input wiring from each sensor is connected to the box via quick release terminal blocks. Each terminal block includes three inputs - signal/power, common and shield, which is earth grounded via an external ground stud mounted to the side of the enclosure. Corresponding output terminal blocks are marked within the enclosure and also feature three inputs - signal/power, common and shield. Multi-conductor cabling with 8, 12 or 16 paired wires is wired to each output terminal block inside the enclosure. The cable exits through the bottom of the box as one single multi-conductor cable to provide input to a vibration switch box or permanent mounting system.

All CR102 enclosures feature a hinged cover with a snap latch to protect each terminal block when not in use. Rated for NEMA 4X (IP66), the box is resistant to hose directed fluid and corrosion and is rated for temperatures ranging from -58° to 180°F (-50° to 82°C).

## CABLE INPUT ORDERING OPTIONS



**A. User Defined**



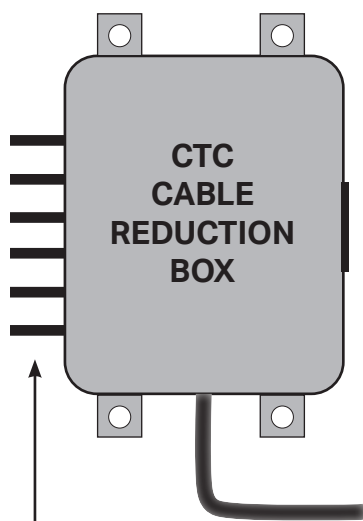
**B. Conduit Fittings**



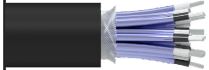
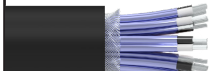
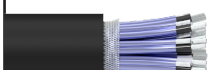
**C. Nylon Cord Grip Inputs, Conduit Fitting Output**



# HOW YOUR CABLE REDUCTION BOX WORKS



↑  
ACCELEROMETER  
INPUTS  
(UP TO 16 CABLES)

OPTIONAL MULTI-CONDUCTOR CABLES	
	<b>CB115</b> 8 twisted, shielded pair with individual and overall shield, with drain wire, black PVC jacket
	<b>CB109</b> 12 twisted, shielded pair with individual and overall shield, with drain wire, black PVC jacket
	<b>CB114</b> 16 twisted, shielded pair with individual and overall shield, with drain wire, black PVC jacket

