

WE MAKE IT EASY...



VIBRATION ANALYSIS HARDWARE

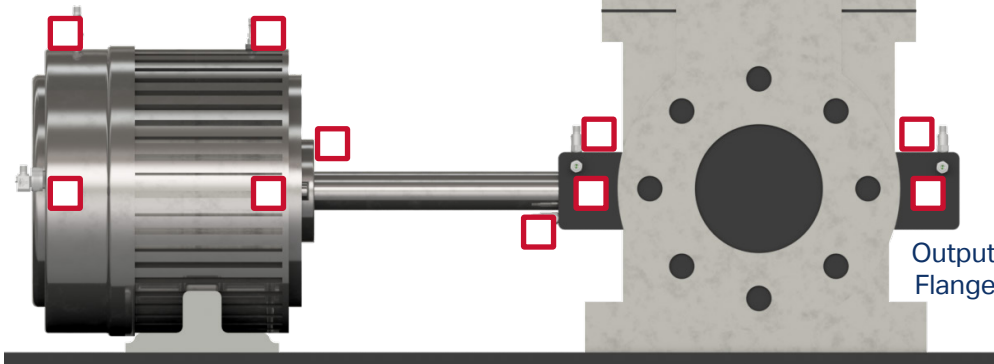
CTC POWER PACK

For Power Plant Boiler Feed Pumps



Vibration Sensors →

Input



Electric Motor

Pump

Output Flange

Notes

* ← 30 Feet (9.1 meters) is average length.

The actual length you need may vary.

Quantity	Part Number	Description
	AC192-1D	Compact Accelerometer, Top Exit, 100mV/g
	AC194-1D	Compact Accelerometer, Side Exit, 100mV/g
	CB102-A2A-030-Z	Twisted, shielded pair cable, red FEP Jacket, 30 ft. *
	JB110-8C	8 Channel Modular Switch Box

Recommended System

Accelerometers

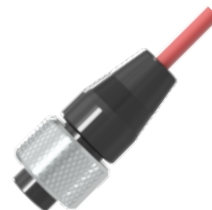


AC194-1D



AC192-1D

Cable



CB102-A2A

Switch Box



JB110-8C

