



DM95000 Series  
Product Manual

## TABLE OF CONTENTS:

- Introduction.....3
- Product Description.....3
- Product Dimensions.....3
- Mounting Instructions.....4
- Warranty and Return Information .....6

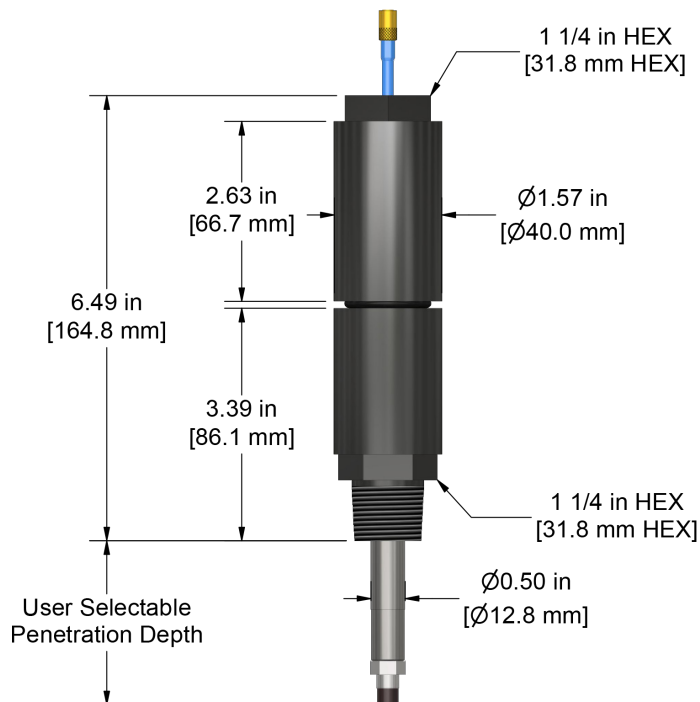
## INTRODUCTION

**DM95000** reverse mount proximity probe housing assembly is designed to protect important proximity probe instruments in harsh manufacturing conditions and easily adjust the gap between the machine shaft and probe without shutting down a machine.

## PRODUCT DESCRIPTION

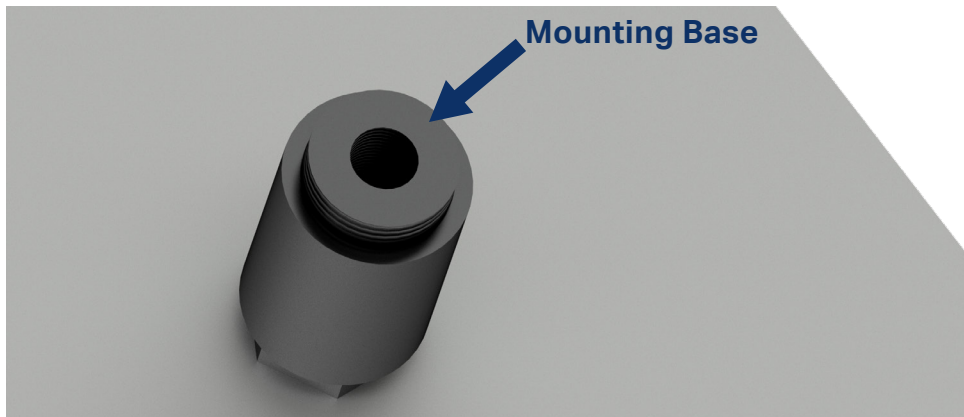
The DM95000 assembly has an aluminum body and seal with Viton® O-rings. The 316L stainless steel adjustable probe mounting sleeve is specifically designed to hold up against extremely harsh industrial environments. The included crush washer provides a liquid-tight barrier to prevent contamination ingress. When tightened by the probe case, the washer will deform to fit the shape between the probe and the mounting sleeve. For this reason, it is recommended to replace the crush washer every time a probe is removed from the mounting sleeve.

## PRODUCT DIMENSIONS



## MOUNTING INSTRUCTIONS

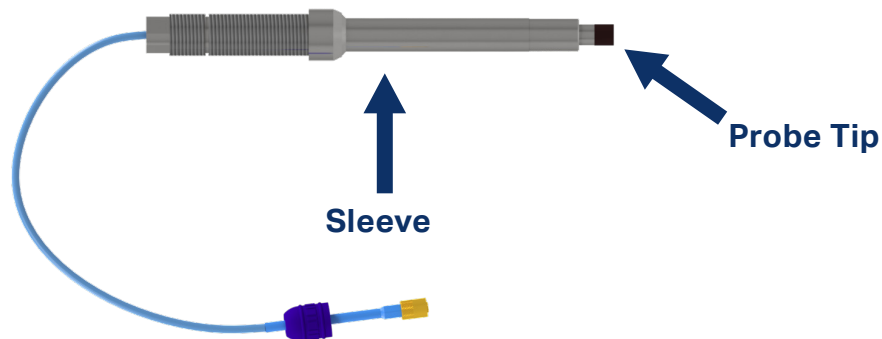
1. Mount housing base onto machine via  $\frac{3}{4}$ -14 NPT mounting thread.



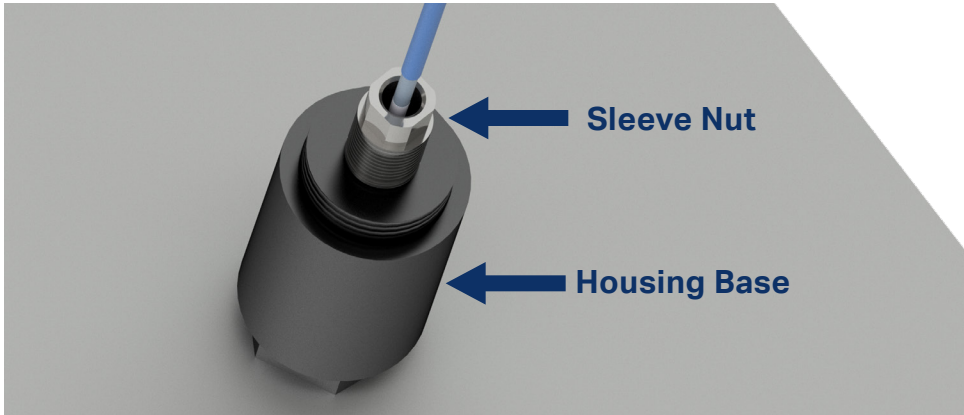
2. Install crush washer onto probe. When the probe is tightened into the mounting sleeve, the washer will deform to fit the space in between the probe and mounting case. For this reason, it is recommended to replace the crush washer every time a probe is removed from the mounting sleeve.



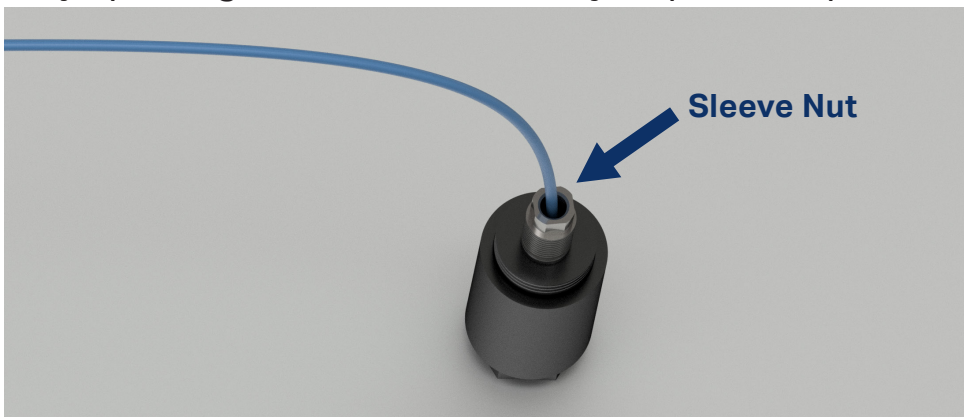
3. Thread reverse mount probe into stainless steel sleeve.



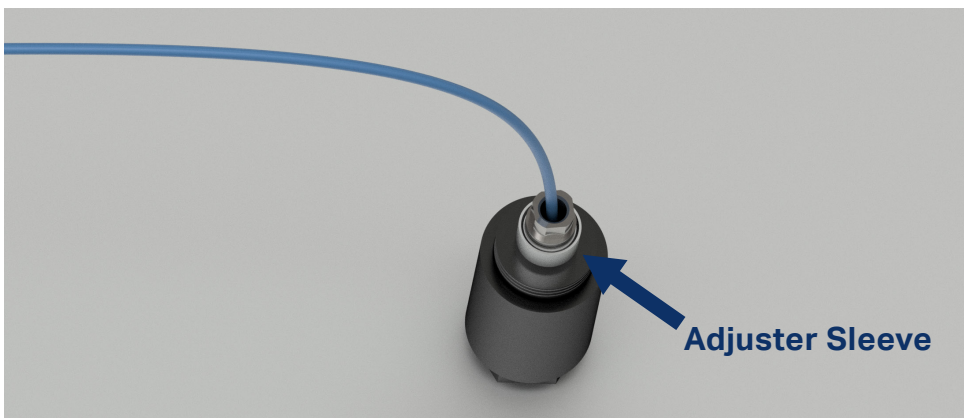
4. Insert sleeve into housing base until the sleeve nut bottoms out.



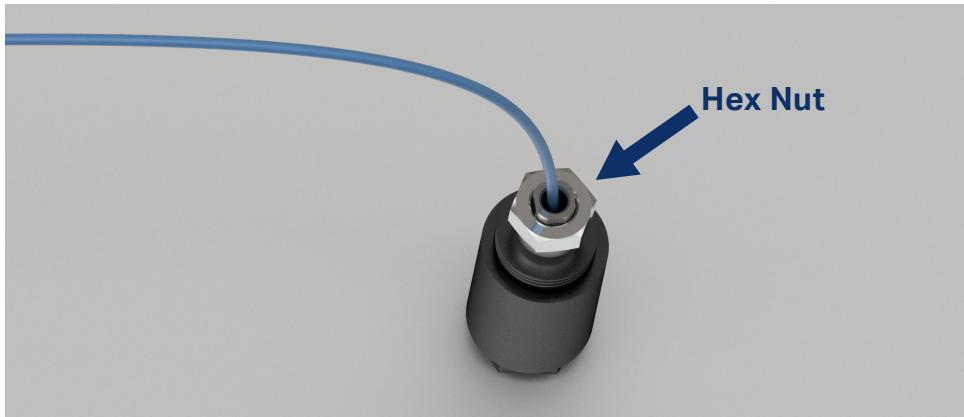
5. Gap probe by spinning the sleeve nut to adjust probe depth.



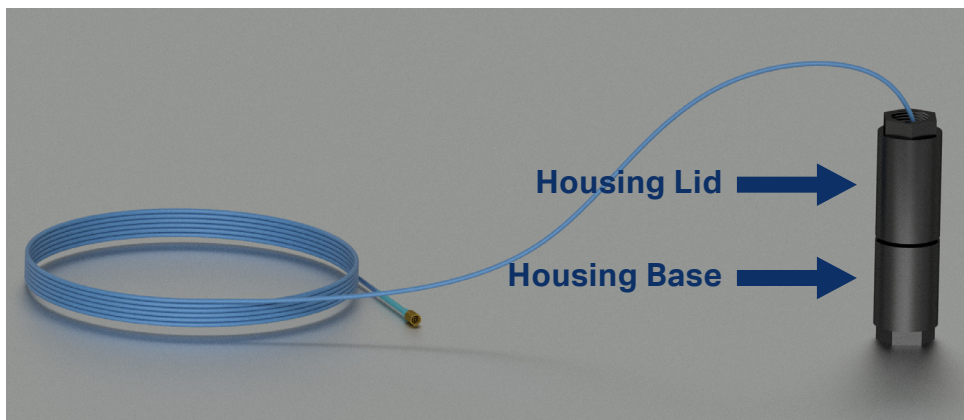
6. Tighten adjuster sleeve onto probe.



7. Tighten hex nut onto adjuster sleeve.



8. Feed cable through housing lid. Tighten lid onto housing base.



## WARRANTY AND REFUND

### Warranty

All PRO products are backed by a lifetime warranty on materials and workmanship. PRO will repair or replace any of our products as long as the product was not subjected to misuse, neglect, natural disasters, improper installation, or modification.

### Refund

All stock products can be returned for a 25% restocking fee if returned in new condition within 90 days of shipment. Stock products qualify for free cancellation if your order is canceled within 24 hours of purchase. Built-to-order products qualify for a 50% refund if returned in new condition within 90 days of shipment. Custom products are quoted and built specifically to the requirements of the customer, which may include completely custom product designs or private labeled versions of standard products for OEM customers. Custom products ordered are non-cancellable, non-returnable and non-refundable.

