



**VIBRATION ANALYSIS HARDWARE**



**JB110 Series Switch Box  
48 Sensor Inputs  
Product Manual**

## TABLE OF CONTENTS

- Introduction.....3
- Product Description.....3
- Product Dimensions.....4
- Mounting Instructions.....5
- Conduit Entry .....6
- Grounding .....7
- Sensor Installation .....9
- Post-Installation Testing..... 12
- Maintenance ..... 13
- Warranty & Refund ..... 14



## INTRODUCTION

CTC switch box solutions allow for the monitoring of remotely-mounted vibration sensors, which would otherwise be restricted to human access due to safety considerations.

### **JB110 Series Switch Box Overview: *Twenty-four to 48 sensor inputs (24 to 48 measurement channel outputs), fiberglass enclosure***

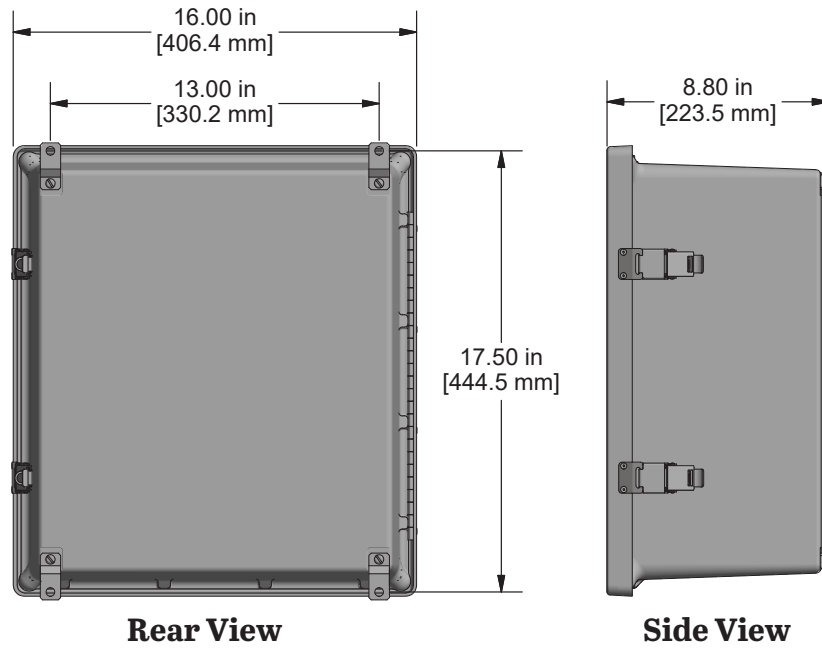
The extended capacity JB110 Switch Box is a common cable termination point for bringing compatible cables for sensors into a switch box for routine data collection with portable data collectors. JB110 series enclosures are designed to have field-input cabling installed behind the board. A flip-down panel allows the user to wire connections on location. The JB110 series also features an IEPE bias indicator light built into the front panel, which can be used to indicate errors in the field wiring or the sensor.

Rated for NEMA 4X (IP66), the JB110 is resistant to hose-directed fluid and corrosion. The box can also withstand harsh environments, including temperatures ranging from -58°F to 180°F (-50°C to 82°C). Two snap latches are installed on the door, allowing the box to be sealed from the elements when not in use.

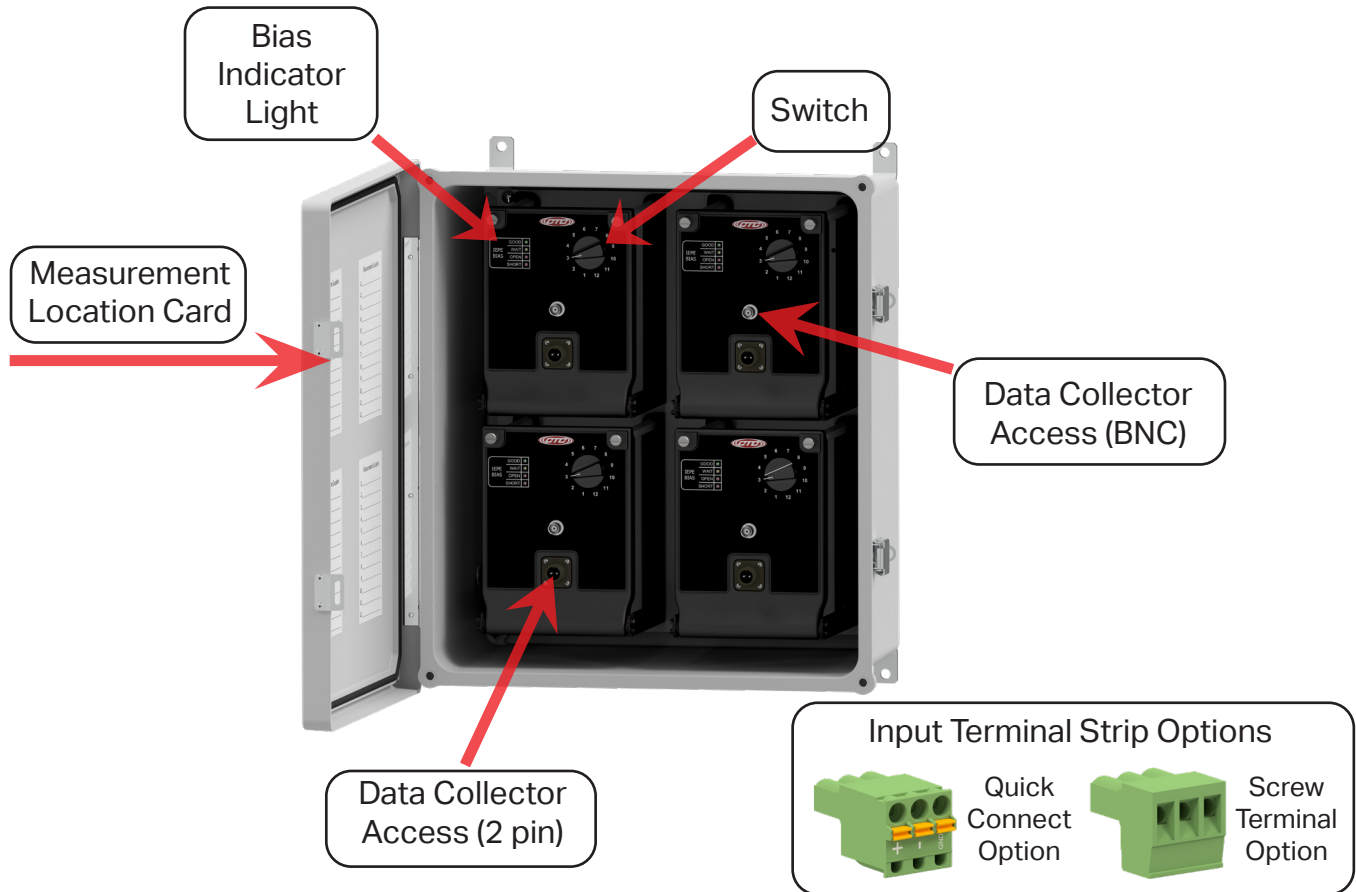
If a continuous output application is desired, that can be easily accomplished by purchasing the optional CTC accessory "T" plug, part number JB907-3A.



# PRODUCT DIMENSIONS



**Figure 1. Dimensions**

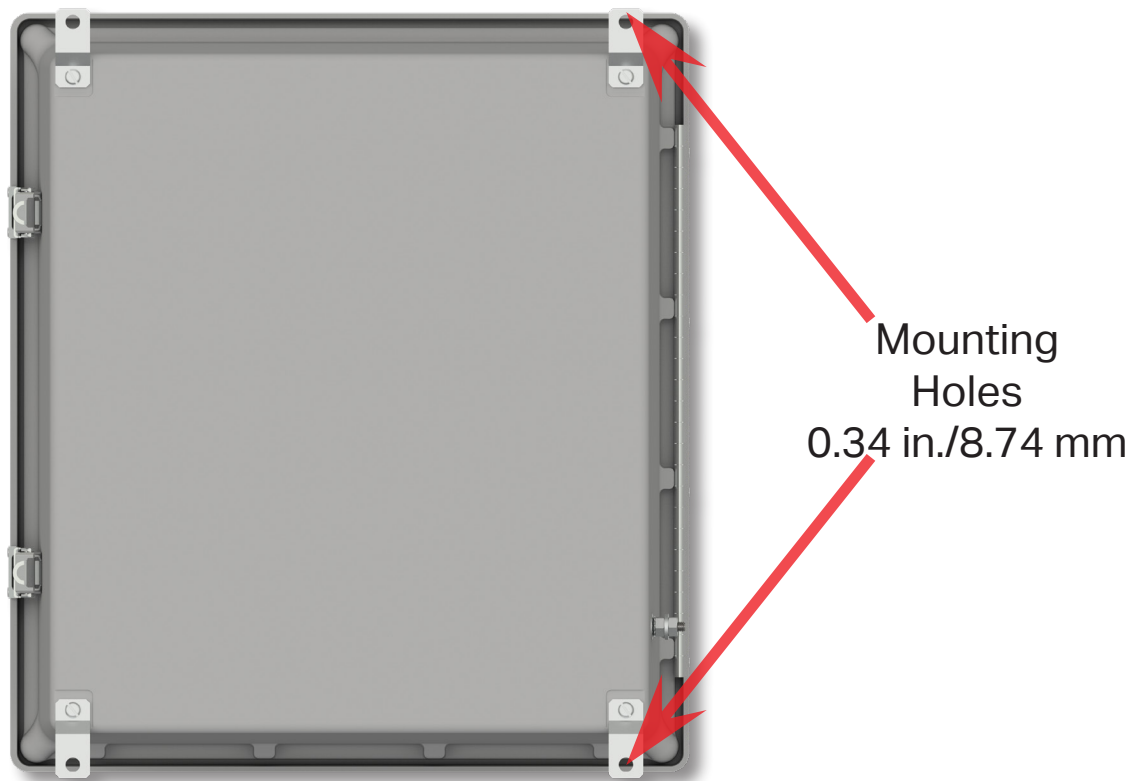


**Figure 2. Diagram**



## **MOUNTING INSTRUCTIONS**

Independent stainless steel mounting feet are included on the enclosure. Wall anchoring screws are not included.



***Figure 3. Extended Capacity Switch Box Rear View***

## CONDUIT ENTRY

If you have purchased a switch box without cable entries provided, you should add your own entry prior to mounting the enclosure. CTC does not recommend putting holes in the top of enclosures as it will cause restricted access to the wire termination connection points and also allow possible moisture ingress.

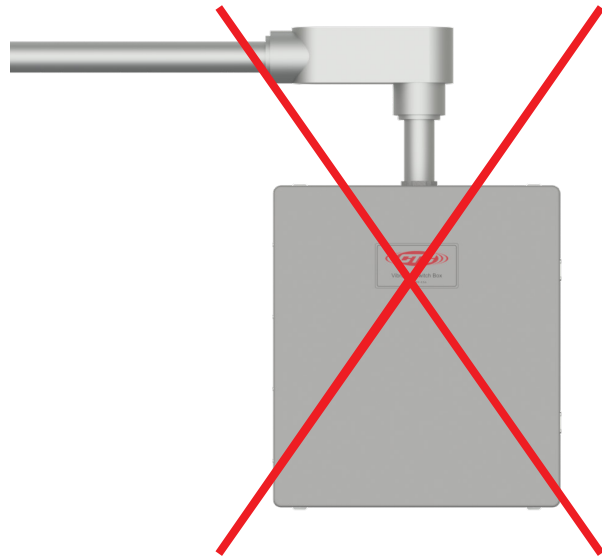
**Note:** To prevent a buildup of condensation inside the enclosure, provide drainage by drilling a hole in the lowest point of the conduit.

**Correct**



Drill Drain  
Hole Here

**Incorrect**



**Figure 4. Conduit Entry for Switch Box**

## GROUNDING

Ensure the shield ground wire on the JB110 Series Switch Boxes is grounded to earth ground.

### *A. Mounting to Earth Ground*

When mounting JB110 Series Switch boxes to earth ground (such as an I-Beam), mount the shield ground wire using a mounting bolt through one of the mounting brackets on the enclosure. See Figure 5 below.

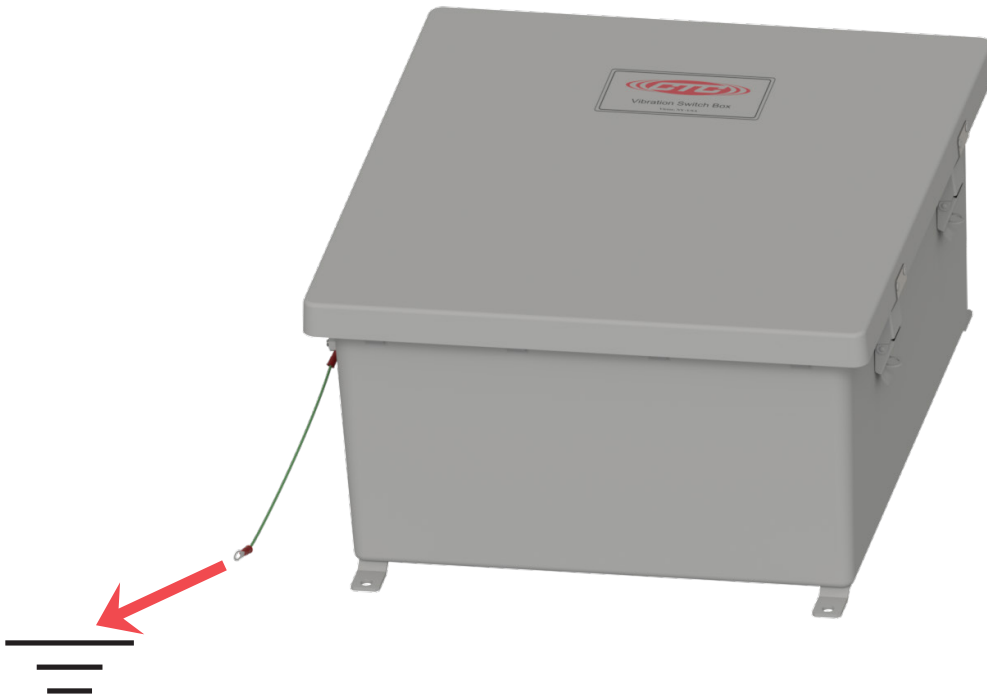


**Figure 5. Proper Shield Grounding Technique**

# GROUNDING

## *B. Mounting to Non-Grounded Structure*

When mounting the switch box to a non-grounded structure, ensure the shield ground wire or customer-supplied ground wire is tied to a source of earth ground.



***Figure 6. Ground Wire Placement***



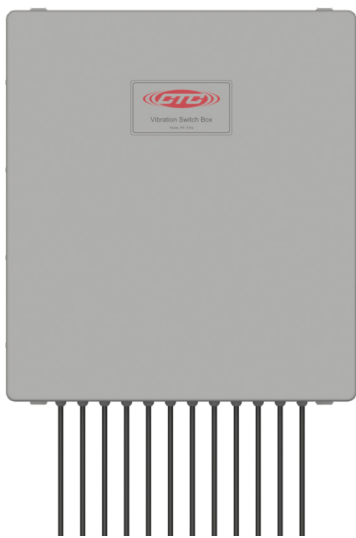
# SENSOR INSTALLATION

## Installation of Sensors/Signal Input Cable

1. Feed blunt-cut end through the cable entry at the bottom of the enclosure.

**Note:** It is recommended that cables are marked on both ends.

For cord grip cable entry, take off the cord grip cover with bushing and run cable through it and into the enclosure. Hand-tighten cord grip cover to base to prevent damage of cord grip.



**Figure 7. Front View**



**Figure 8. Bottom View with Cord Grips Installed**

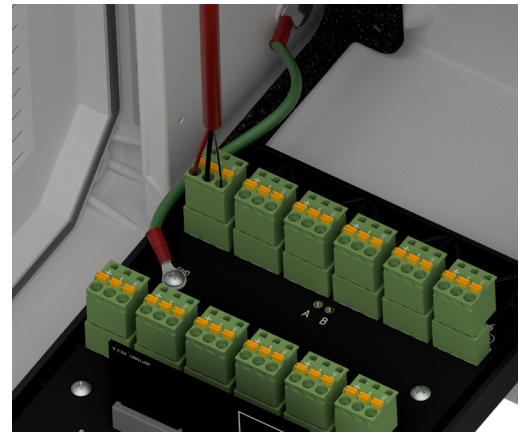
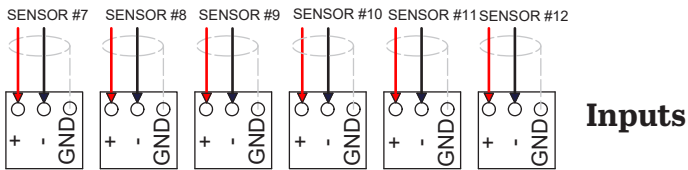
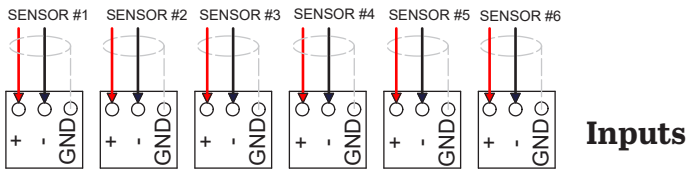
1. Strip outer jacket of cable back 1¼ in. and remove all of the shielding.
2. Separate the internal wires from the shield.
3. Strip red and black insulation back ¼ in.



**Figure 9. Stripped Wire**

# SENSOR INSTALLATION

4. Locate the appropriate plug (identified by channel number), remove it, and install the wires using a small flathead screwdriver. Push plug back into location. Orientation is as follows:
  - a. Red insulated conductor wire is connected to (+).
  - b. Black insulated conductor wire is connected to (-).
  - c. Shield drain wire is connected to ground (GND).
  - d. Depress selected position button to open terminal for respective wire (may require a mini flathead screwdriver).



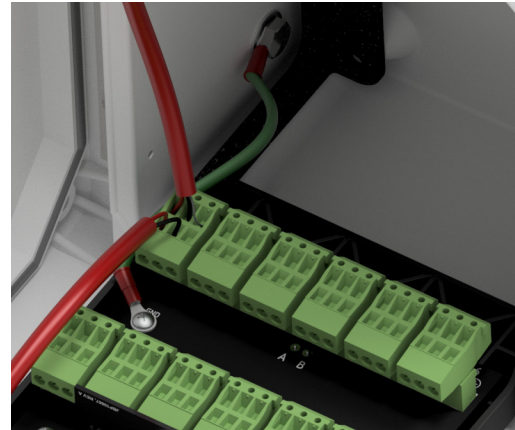
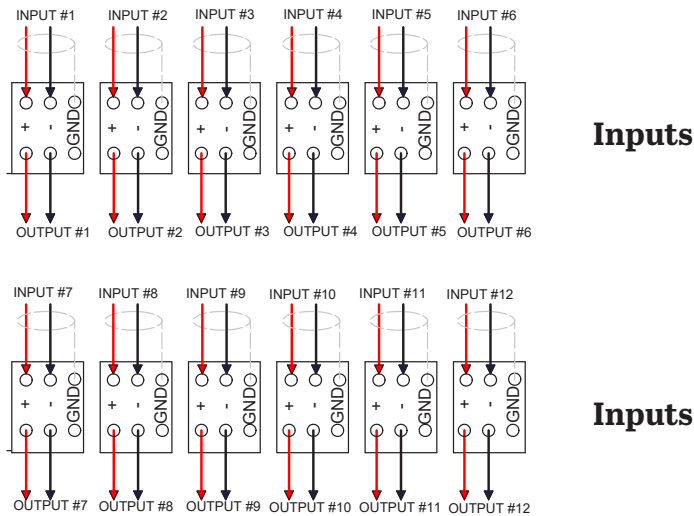
Sensor Inputs  
Red = Positive  
Black = Common  
Grey = Shield (Ground)

**Figure 10. Connecting Cables to Switch Box**

# SENSOR INSTALLATION

5. Insert plug into the appropriate PC board connector and double check to ensure that the cable is going to the correct channel.

**Note:** If your application requires continuous output, the wiring configuration for the JB110 is slightly modified.



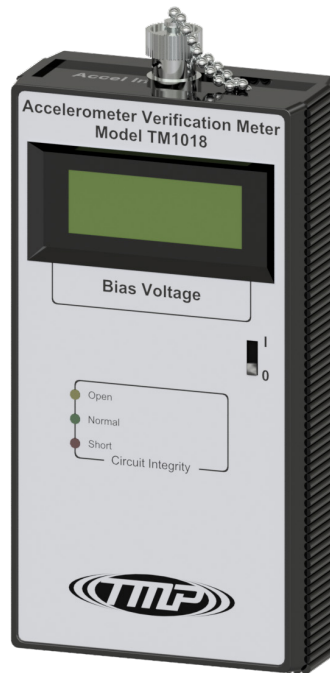
Sensor Inputs  
Red = Positive  
Black = Common  
Grey = Shield (Ground)

**Figure 11. Wiring for Continuous Output**

6. Mark the Measurement Location Cards located on the inside front cover with a description of each sensor location.

## POST-INSTALLATION TESTING

The TM1018 Accelerometer Verification Meter can be used to verify cable conductivity, sensor location and proper wiring connections. The Verification Meter will indicate if the sensor, cable and/or junction box is in working condition. It will also confirm bias voltage of the accelerometer, which will inform you of the operation of the internal accelerometer amplifier.



**Figure 12. TM1018 Accelerometer Verification Meter**

### Testing Method:

1. Utilizing two personnel, Person A will be located at the switch box, while Person B will be located at the measurement location.
2. Once positioned, Person A will connect the TM1018 to the data collector output on the switch box and turn the Channel Selector to the channel that corresponds to the referenced measurement. Person A should observe a "NORMAL" LED reading.
3. Person B disconnects the cable from the accelerometer, and the TM1018 should respond with an "OPEN" LED. Reconnect the cable to the accelerometer, and the TM1018 should respond with a "NORMAL" LED.
4. Repeat for each measurement location to verify that accelerometer location is properly identified at the switch box.

## POST-INSTALLATION TESTING

The following LED Readout indicates the circuit integrity:

1. Green LED: Normal. Indicates proper connection and an output bias will be given, indicating the health of the sensor (4 – 16 V indicates a healthy accelerometer).
2. Yellow LED: Open Circuit. Indicates one of the following:
  - a. Cable connector is not connected to accelerometer.
  - b. Cable is open circuit (broken or not connected at one end).
  - c. Accelerometer is not functioning correctly.
3. Red LED: Short Circuit. Indicates one of the following:
  - a. Water or contamination in the connector.
  - b. Reverse wiring ((+) and (-) leads are reversed) at terminal block inputs of the switch box.
  - c. Wires in switch box or cable connector (+) & (-) are touching.

## MAINTENANCE

Once the system has been installed, it requires minimal maintenance. Basic checks to ensure system integrity should be made periodically.

Visual inspection should include examinations for the following:

1. No visible electrical burns or smoke inside the enclosure.
2. Enclosure hinges are free from rust and securely latched.
3. No moisture or condensation is present inside the enclosure.



## **WARRANTY & REFUND**

### **Warranty**

All CTC products are backed by our unconditional lifetime warranty. If any CTC product should ever fail, we will repair or replace it at no charge.

### **Refund**

All stock products can be returned for a 25% restocking fee if returned in new condition within 90 days of shipment. Stock products qualify for free cancellation if your order is cancelled within 24 hours of purchase. Built-to-order products qualify for a 50% refund if returned in new condition within 90 days of shipment. Custom products are quoted and built specifically to the requirements of the customer, which may include completely custom product designs or private labeled versions of standard products for OEM customers. Custom products ordered are non-cancellable, non-returnable and non-refundable.

