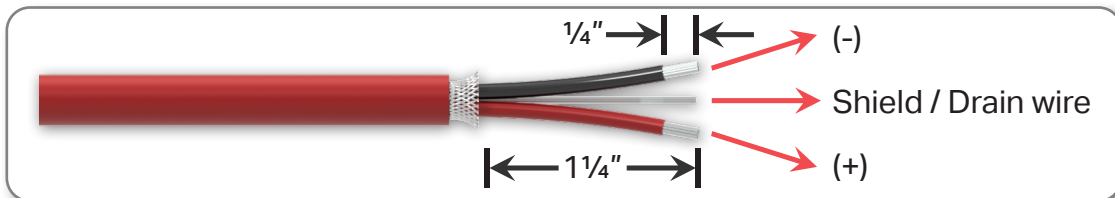


# WIRING INSTRUCTIONS

## JB210 SERIES SWITCH BOX

1. Strip outer jacket of cable back 1¼ in. and remove all of the shielding.
2. Separate the internal wires from the shield and twist the shield drain wire.
3. Strip red and black insulation back ¼ in.



4. Locate the appropriate plug, identified by channel number, remove the plug and install the wires using a small flathead screwdriver. Push plug back into location

### Orientation is as follows:

- a. Red insulated conductor wire is connected to (+).
- b. Black insulated conductor wire is connected to (-).
- c. Shield drain wire is connected to ground (GND).
- d. Depress selected position button on input terminal block to open terminal for respective wire  
(May need mini flat head screwdriver).

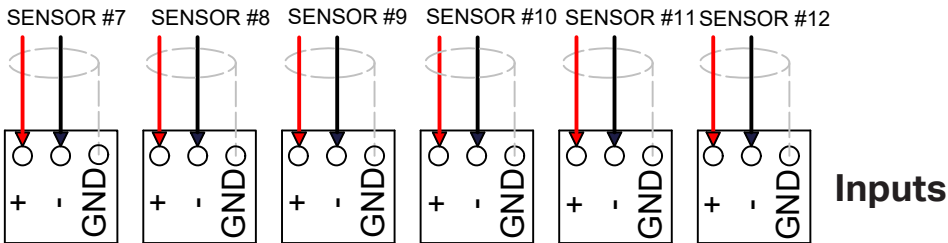
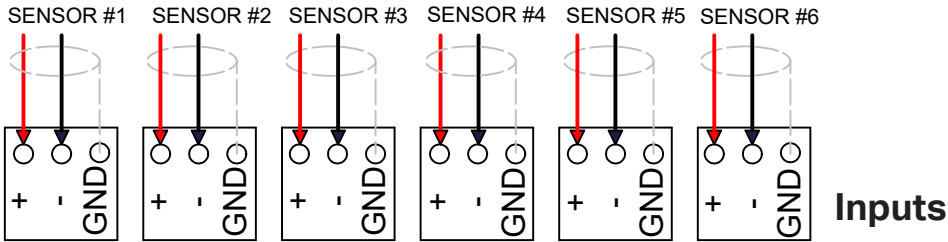


[Visit our website](#) to download the full manual for JB210 enclosures.

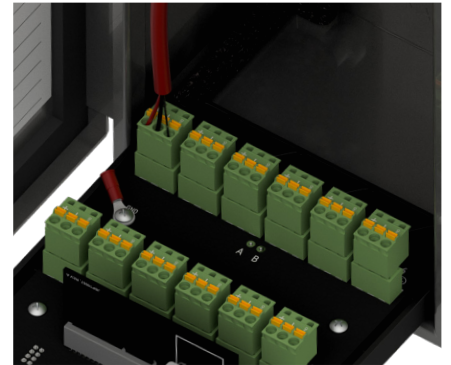


# WIRING INSTRUCTIONS

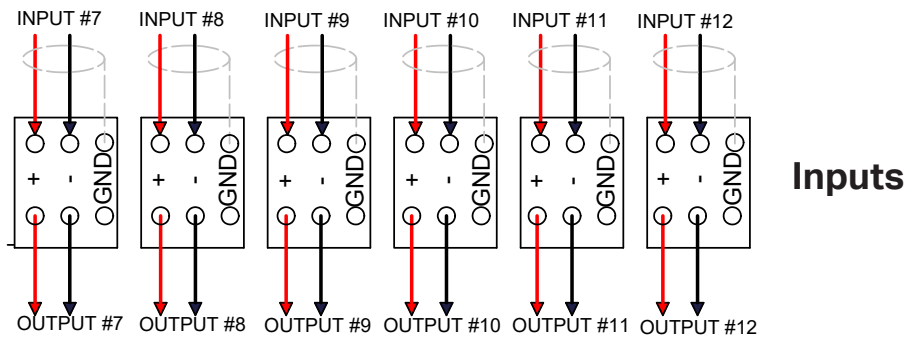
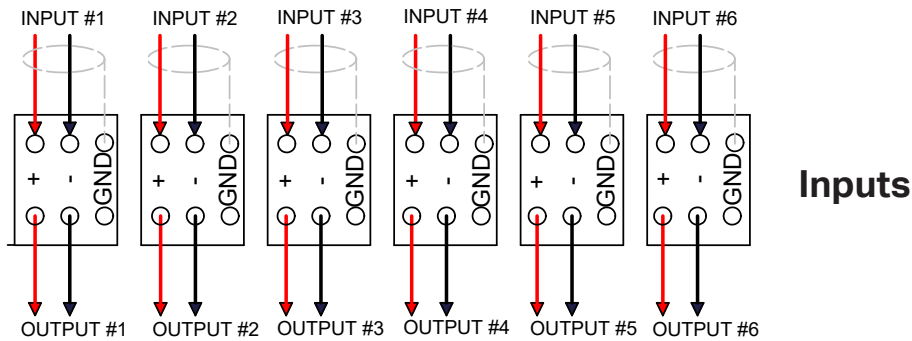
## JB210 SERIES SWITCH BOX



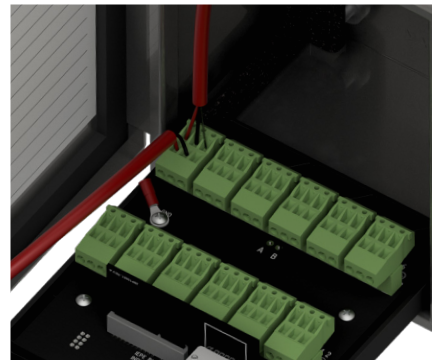
### JB210 SERIES STANDARD OUTPUT



Sensor Inputs  
 Red = Positive  
 Black = Common  
 Grey = Shield (Ground)



### JB210 SERIES CONTINUOUS OUTPUT



Sensor Inputs  
 Red = Positive  
 Black = Common  
 Grey = Shield (Ground)

