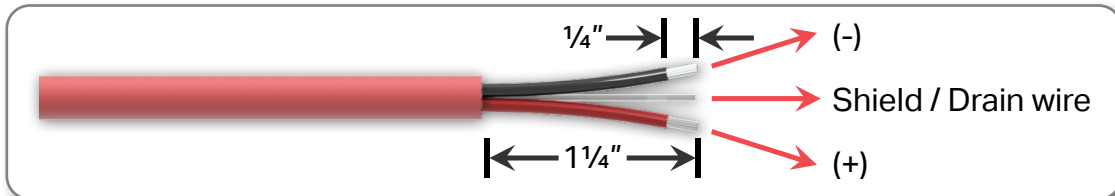


SINGLE AXIS WIRING INSTRUCTIONS

MX433 SERIES MAXX Box

1. Strip outer jacket of cable back 1¼ in. and remove all of the shielding.
2. Separate the internal wires from the shield and twist the shield drain wire.
3. Strip red and black insulation back ¼ in.



4. Locate the appropriate plug, identified by channel number, remove the plug and install the wires using a small flathead screwdriver. Push plug back into location

Orientation is as follows:

- a. Red insulated conductor wire is connected to (+) on one of the three channels.
- b. All black insulated conductor wires are connected to (-) on one of the three channels.
- c. All shield drain wires are connected to ground (GND).

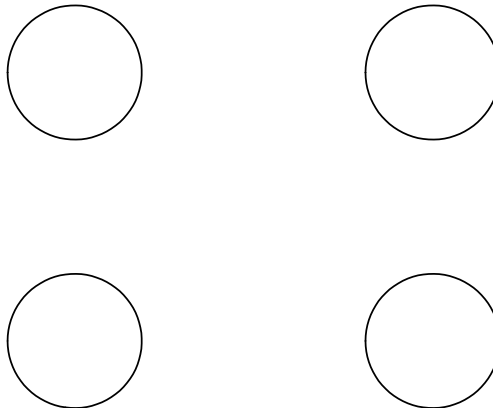
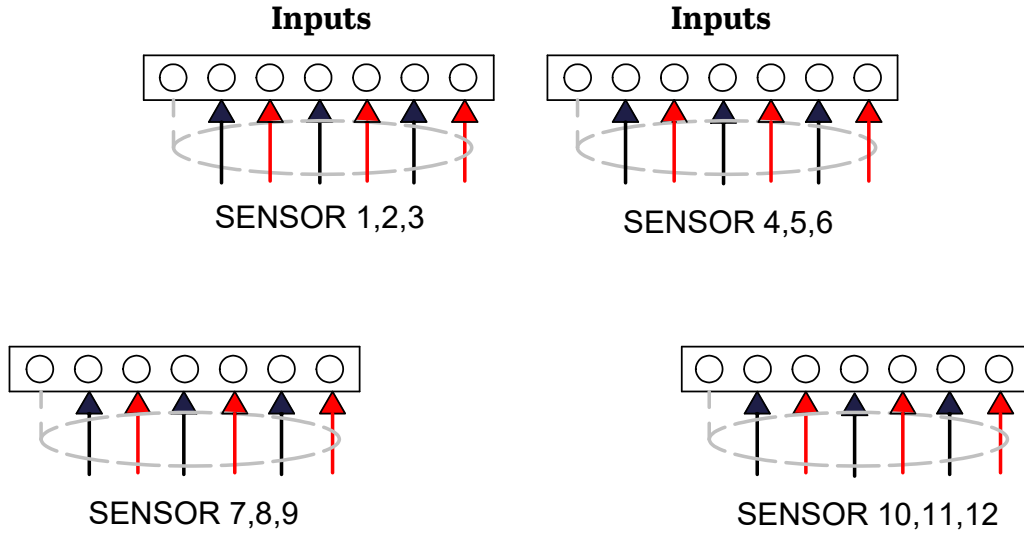


[Visit our website](#) to download the full manual for MX433 enclosures.



SINGLE AXIS WIRING INSTRUCTIONS

MX433 SERIES MAXX Box



Sensor Inputs
 Red = Power/Signal
 Black = Common
 Grey = Shield (Ground)

