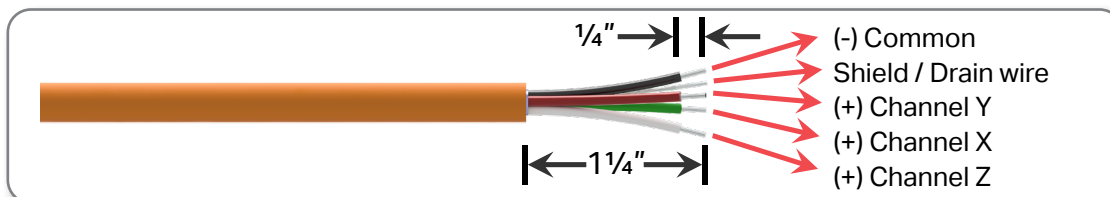


WIRING INSTRUCTIONS

MX433 SERIES MAXX Box

1. Strip outer jacket of cable back 1¼ in. and remove all of the shielding.
2. Separate the internal wires from the shield and twist the shield drain wire.
3. Strip red, green, white, and black insulation back ¼ in.



4. Locate the appropriate plug, identified by channel number, remove the plug and install the wires using a small flathead screwdriver. Push plug back into location

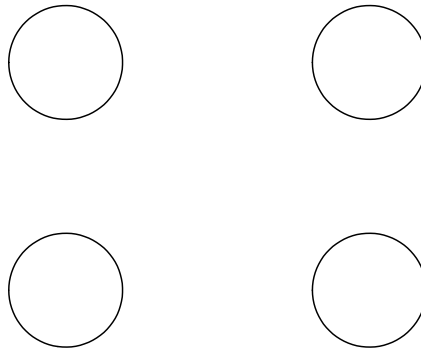
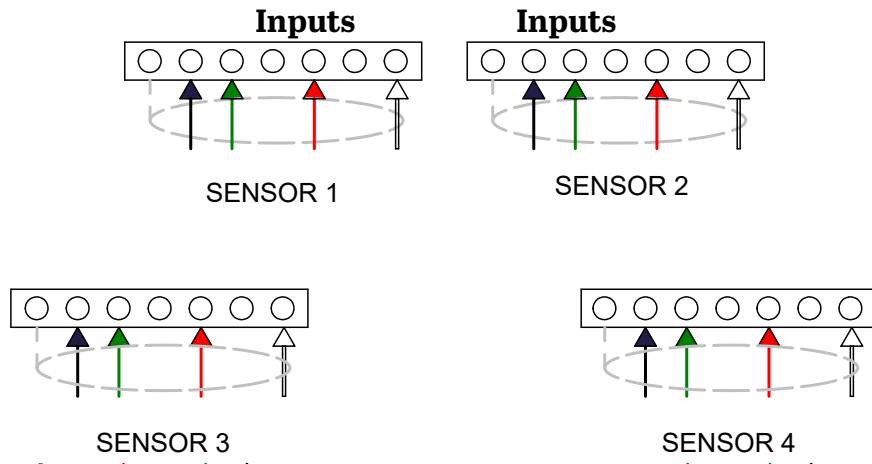
Orientation is as follows:

- a. White insulated conductor wire (Z) is connected to the first channel used.
- b. Red insulated conductor wire (Y) is connected to the second channel used.
- c. Green insulated conductor wire (X) is connected to the third channel used.
- d. Black insulated conductor wire is connected to (-).
- e. Shield drain wire is connected to ground (GND).



WIRING INSTRUCTIONS

MX433 SERIES MAXX Box



Sensor Inputs
 White = Power/Signal Z Axis
 Red = Power/Signal Y Axis
 Green = Power/Signal X Axis
 Black = Common
 Grey = Shield (Ground)

