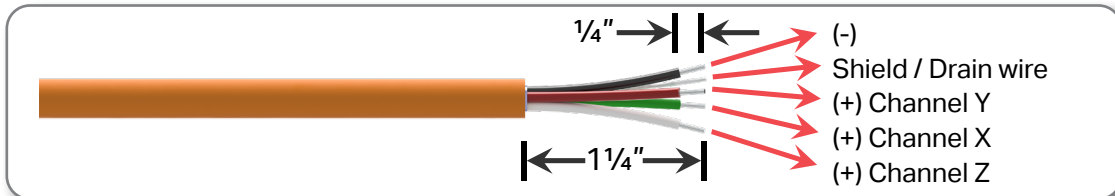


WIRING INSTRUCTIONS

MX505 SERIES MINI MAXX BOX

1. Strip outer jacket of cable back 1¼ in. and remove all of the shielding.
2. Separate the internal wires from the shield and twist the shield drain wire.
3. Strip red, black, green, and white insulation back ¼ in.



4. While viewing the rear of the panel, locate the appropriate channel. Using a mini flathead screwdriver, loosen the three screws for the channel and insert the wires into the termination block.

Orientation is as follows:

- a. Red insulated conductor wire (Y) is connected to the first channel used.
- b. Green insulated conductor wire (X) is connected to the second channel used.
- c. White insulated conductor wire (Z) is connected to the third channel used.
- d. Black insulated conductor wire is connected to (-).
- e. Shield drain wire is connected to ground (GND).
- f. Tighten the screw on each wire to hold it in place.

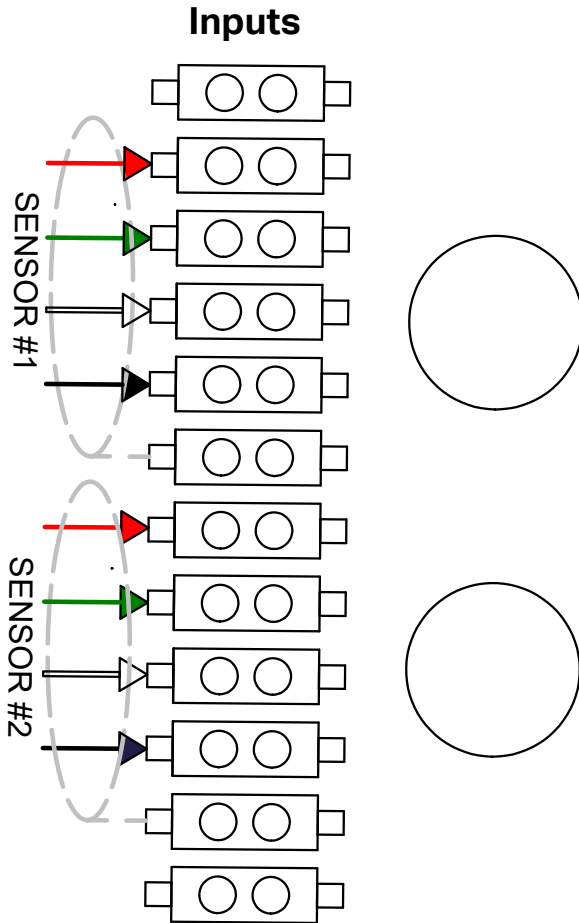


[Visit our website](#) to download the full manual for MX505 enclosures.



WIRING INSTRUCTIONS

MX505 SERIES MINI MAXX Box



Sensor Inputs
Red = Positive Y Axis
Green = Positive X Axis
White = Positive Z Axis
Black = Common
Grey = Shield (Ground)

