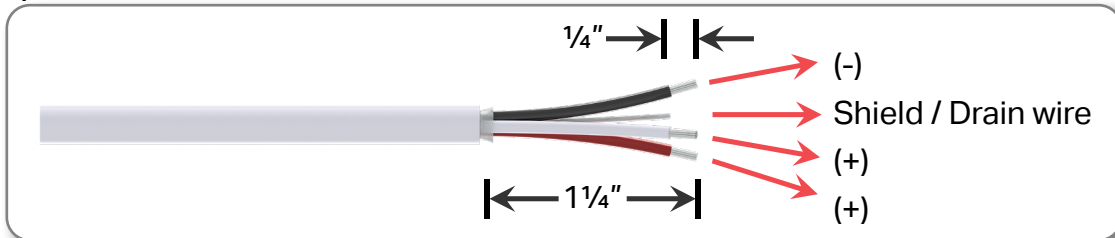


WIRING INSTRUCTIONS

MX542 SERIES MINI MAXX BOX

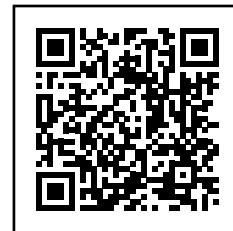
1. Strip outer jacket of cable back 1¼ in. and remove all of the shielding.
2. Separate the internal wires from the shield and twist the shield drain wire.
3. Strip red and black insulation back ¼ in.



4. While viewing the rear of the panel, locate the appropriate channel. Using a mini flathead screwdriver, loosen the three screws for the channel and insert the wires into the termination block.

Orientation is as follows:

- a. Red insulated conductor wire is connected to (+) Vibration.
- b. Black insulated conductor wire is connected to (-).
- c. Shield drain wire is connected to ground (GND).
- d. White insulated conductor wire is connected to (+) Temperature.
- e. Tighten the screw on each wire to hold it in place.



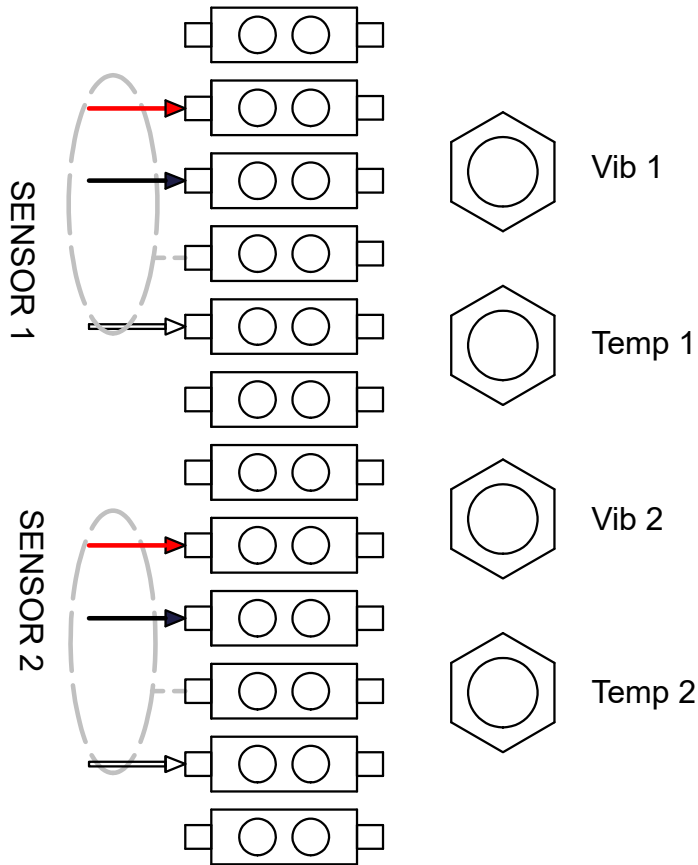
[Visit our website](#) to download the full manual for MX542 enclosures.



WIRING INSTRUCTIONS

MX542 SERIES MINI MAXX BOX

Inputs



Sensor Inputs
 Red = Positive Vib
 Black = Common
 Grey = Shield (Ground)
 White = Positive Temp

